

Heathfield&Co

Product Specification Sheet

WALL LIGHT | CONNISTON ANTIQUE BRASS



PRODUCT INFORMATION

Base Code: WL-CONN-ABRS
Material: Metal
Finish shown: Antique Brass
Lampshade: 8" Flat Drum / SH-08-FLDR

TECHNICAL INFORMATION

Weight: 0.8kg / 1.7lbs
Switching & Plug: Hardwired
Lamping: 1x E27 lampholder / 1x E26 US lampholder
25W max. LED lamps recommended.
Lamps not included

TOTAL HEIGHT: 300 mm / 11³/₄"

TOTAL WIDTH: 200 mm / 8"

PROJECTION: 310 mm / 12"

UKCA / CE / UL COMPLIANT

WARRANTY

10 years*

FINISHING NOTE

All metalwork is handcrafted and may vary from piece to piece with slight variation in finish and detailing.

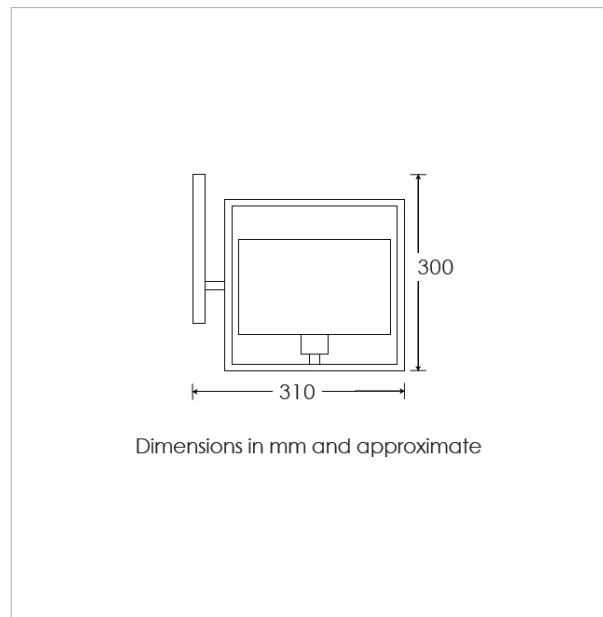
CLEANING INSTRUCTIONS

The finishes on this luminaire only require regular cleaning with a soft dry duster. Abrasive or chemical cleaners may harm the finish and should not be used. Shade to be dusted with a clean dry cloth.

FIXING NOTE

It is the buyer's responsibility to ensure that suitable fixings are used.

*Please refer to our Terms & Conditions for further information.



H&CO

LIGHT BEYOND DESIGN