

Heathfield&Co

Installation Guide

CEILING LIGHT | NULA VERTICAL



General Notes

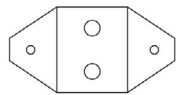
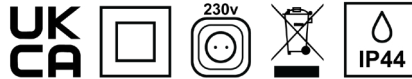
- Before carrying out installation, please ensure that you have read and understood this document carefully.
- This fitting is low voltage and must be connected to the integrated constant voltage LED driver when installing on a mains voltage circuit. Do not connect this fitting directly to a mains voltage circuit.
- The LED driver is supplied and contained within the ceiling rose.
- This fitting contains an integrated LED light source. Do not attempt to replace the lamp. In case of failure, please contact our sales team.
- This fitting is IP44 rated, suitable for use in bathrooms. Please refer to our bathroom guide for more information: heathfield.co.uk/stories/lighting-guide-the-bathroom
- An IP rated terminal block must be used in this fitting for use in a bathroom.
- Switch off electricity and ensure the correct wiring procedure & regulations have been checked with a qualified electrician.
- Ensure the fitting is being fixed to a suitable surface, strong enough to support the weight of the product.
- Ensure that suitable fixings are used - additional fixing screws are not included.
- The ceiling mount and fixing screws are supplied already attached to the fitting.
- Save these instructions for future reference.
- If you have any additional questions, please contact our sales team.

Caution

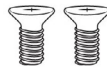
Installation of this fitting must be carried out by a qualified electrician.

Warning

Electricity must be switched off at the mains fuse box before installing this fitting.



Ceiling Mount
x1



Fixing Screws
x2



Nula Vertical
x1

H&
CO

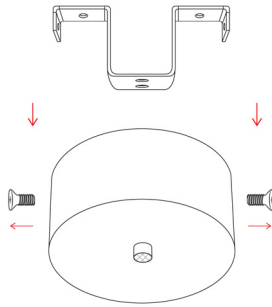
LIGHT BEYOND DESIGN

www.heathfield.co.uk | +44 (0) 1732 350450 | sales@heathfield.co.uk
Unit 1, Priory Road, Tonbridge, Kent, TN9 2AF, United Kingdom. © 2026 Heathfield & Co. All rights reserved.

Heathfield&Co

Installation Guide

CEILING LIGHT | NULA VERTICAL



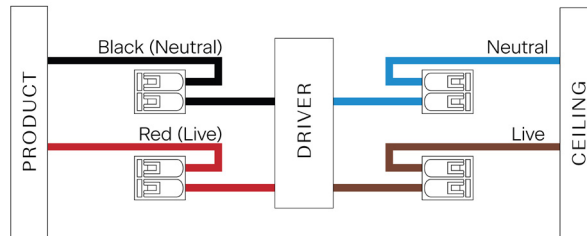
STEP 1

- Switch off the electricity at the mains fuse box. Turning off the power at the switch is not sufficient.
- Remove the 2x fixing screws to separate the ceiling mount from the ceiling rose.



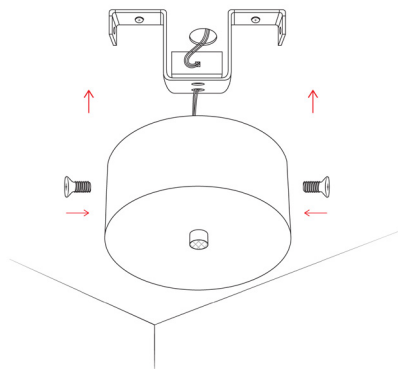
STEP 2

- Fix the ceiling mount to the ceiling using appropriate fixings.
- Make electrical connections, following the below wiring diagram. Please note you will need to hold the weight of the pendant while connecting the wires.



STEP 3

- Offer the ceiling light up to the ceiling mount & screw the fixing screws into the ceiling rose.
- Switch the power back on.



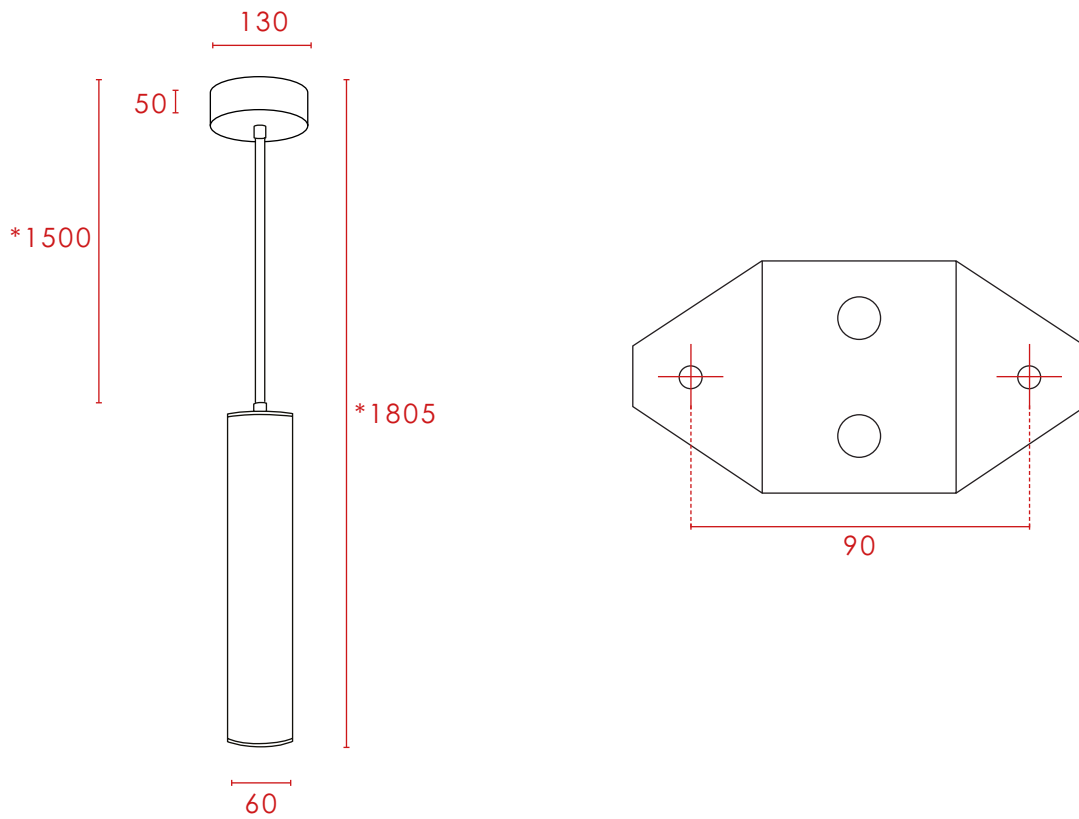
H&
CO

LIGHT BEYOND DESIGN

Heathfield&Co

Installation Guide

CEILING LIGHT | NULA VERTICAL



Dimensions in mm and approximate.

*Flex drop length adjustable.

**H&
CO**

LIGHT BEYOND DESIGN

www.heathfield.co.uk | +44 (0) 1732 350450 | sales@heathfield.co.uk
Unit 1, Priory Road, Tonbridge, Kent, TN9 2AF, United Kingdom. © 2026 Heathfield & Co. All rights reserved.

Heathfield&Co

Installation Guide

CEILING LIGHT | NULA 3 LIGHT



General Notes

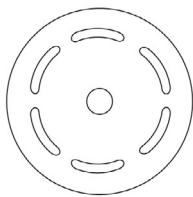
- Before carrying out installation, please ensure that you have read and understood this document carefully.
- This fitting is low voltage and must be connected to a constant voltage LED driver when installing on a mains voltage circuit. Do not connect this fitting directly to a mains voltage circuit.
- The LED driver is supplied and contained within the ceiling rose.
- This fitting contains an integrated LED light source. Do not attempt to replace the lamp. In case of failure, please contact our sales team.
- This fitting is suitable for dry, indoor use only.
- Switch off electricity and ensure the correct wiring procedure & regulations have been checked with a qualified electrician.
- Ensure the fitting is being fixed to a suitable surface, strong enough to support the weight of the product.
- Ensure that suitable fixings are used - additional fixing screws are not included.
- The ceiling mount and fixing screws are supplied already attached to the fitting.
- Save these instructions for future reference.
- If you have any additional questions, please contact our sales team.

Caution

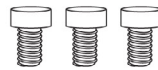
Installation of this fitting must be carried out by a qualified electrician.

Warning

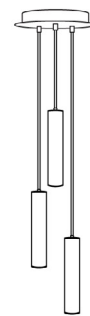
Electricity must be switched off at the mains fuse box before installing this fitting.



Ceiling Mount
x1



Fixing Screws
x3



Nula 3 Cluster
x1

H&
CO

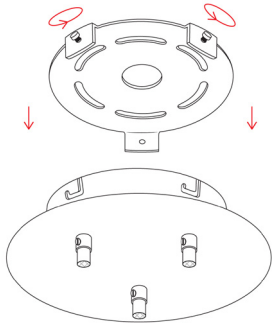
LIGHT BEYOND DESIGN

www.heathfield.co.uk | +44 (0) 1732 350450 | sales@heathfield.co.uk
Unit 1, Priory Road, Tonbridge, Kent, TN9 2AF, United Kingdom. © 2026 Heathfield & Co. All rights reserved.

Heathfield&Co

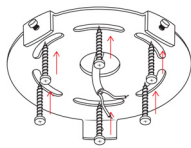
Installation Guide

CEILING LIGHT | NULA 3 LIGHT



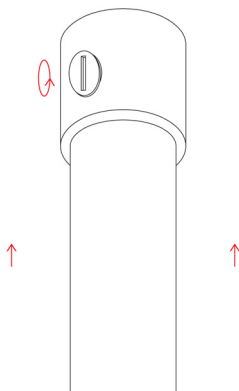
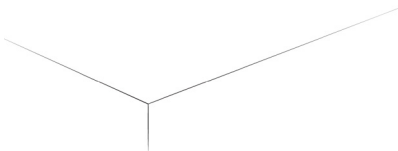
STEP 1

- Switch off the electricity at the mains fuse box. Turning off the power at the switch is not sufficient.
- Loosen the screws then twist & lift off the front ceiling rose. Please note you should not remove the screws fully.



STEP 2

- Fix the ceiling mount using appropriate fixings.



STEP 3

- If you need to adjust any of the lengths of the pendants, slightly loosen the cord grip screws using a flat head screwdriver. Please note you should not remove screws fully.
- Gently pull the flex through at the top of the ceiling rose until you have reached the desired length.
- If you do not need to adjust the lengths please skip step 3 and 4.

H&
CO

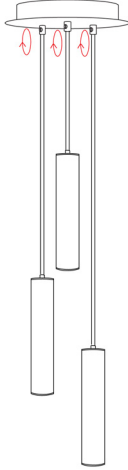
LIGHT BEYOND DESIGN

www.heathfield.co.uk | +44 (0) 1732 350450 | sales@heathfield.co.uk
Unit 1, Priory Road, Tonbridge, Kent, TN9 2AF, United Kingdom. © 2026 Heathfield & Co. All rights reserved.

Heathfield&Co

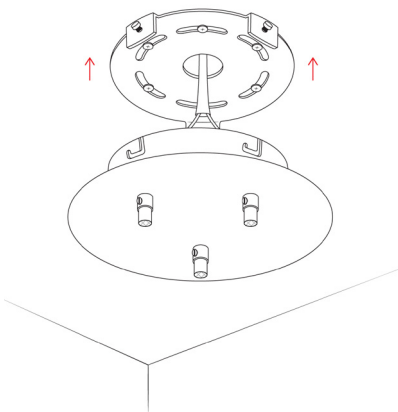
Installation Guide

CEILING LIGHT | NULA 3 LIGHT



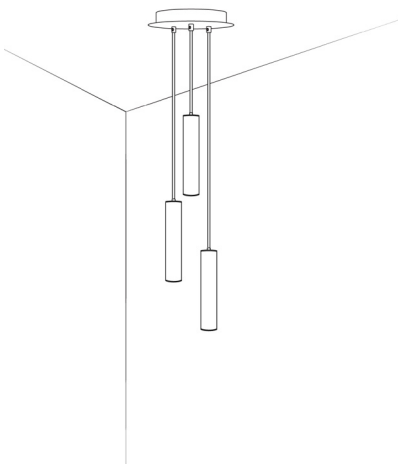
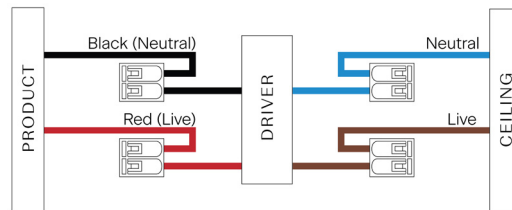
STEP 4

- Once the flex lengths have been adjusted, tighten the cord grip screws.
- If there are any flex cords sticking out at the top of the ceiling rose, push them back in so they sit below the very top edge of the ceiling rose.



STEP 5

- Offer the ceiling light up to the ceiling mount & make electrical connections, following the below wiring diagram. Please note you will need to hold the weight of the pendant while connecting the wires.
- Twist & lock the ceiling rose onto to ceiling mount & tighten screws.



STEP 6

- Switch the power back on.

H&
CO

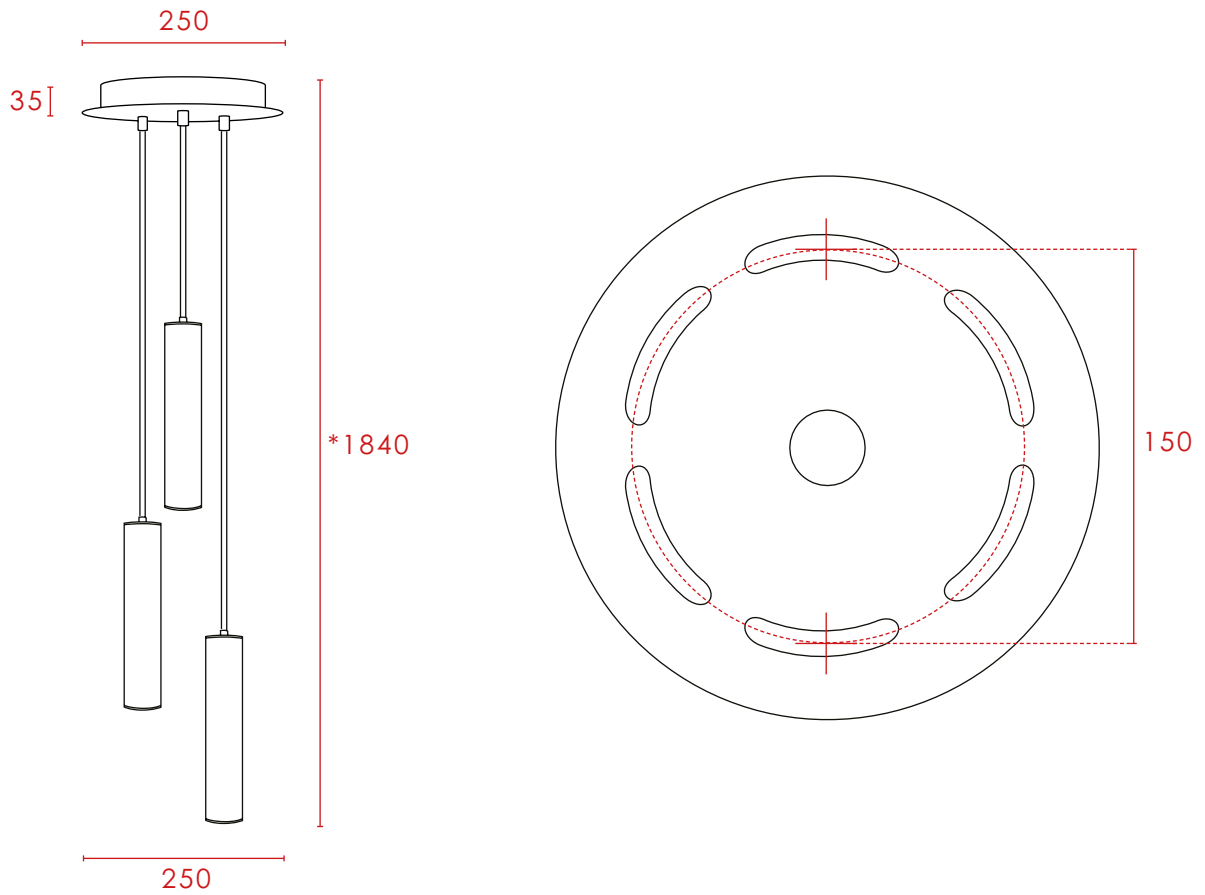
LIGHT BEYOND DESIGN

www.heathfield.co.uk | +44 (0) 1732 350450 | sales@heathfield.co.uk
Unit 1, Priory Road, Tonbridge, Kent, TN9 2AF, United Kingdom. © 2026 Heathfield & Co. All rights reserved.

Heathfield&Co

Installation Guide

CEILING LIGHT | NULA 3 LIGHT



Dimensions in mm and approximate.

*Flex drop length adjustable.

**H&
CO**

LIGHT BEYOND DESIGN

www.heathfield.co.uk | +44 (0) 1732 350450 | sales@heathfield.co.uk
Unit 1, Priory Road, Tonbridge, Kent, TN9 2AF, United Kingdom. © 2026 Heathfield & Co. All rights reserved.

Heathfield&Co

Installation Guide

CEILING LIGHT | NULA 5 LIGHT



General Notes

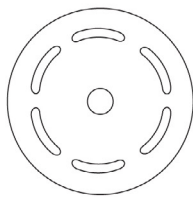
- Before carrying out installation, please ensure that you have read and understood this document carefully.
- This fitting is low voltage and must be connected to a constant voltage LED driver when installing on a mains voltage circuit. Do not connect this fitting directly to a mains voltage circuit.
- The LED driver is supplied and contained within the ceiling rose.
- This fitting contains an integrated LED light source. Do not attempt to replace the lamp. In case of failure, please contact our sales team.
- This fitting is suitable for dry, indoor use only.
- Switch off electricity and ensure the correct wiring procedure & regulations have been checked with a qualified electrician.
- Ensure the fitting is being fixed to a suitable surface, strong enough to support the weight of the product.
- Ensure that suitable fixings are used - additional fixing screws are not included.
- The ceiling mount and fixing screws are supplied already attached to the fitting.
- Save these instructions for future reference.
- If you have any additional questions, please contact our sales team.

Caution

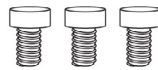
Installation of this fitting must be carried out by a qualified electrician.

Warning

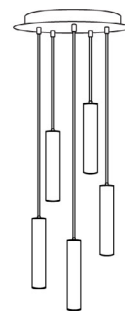
Electricity must be switched off at the mains fuse box before installing this fitting.



Ceiling Mount
x1



Fixing Screws
x3



Nula 5 Cluster
x1

H&
CO

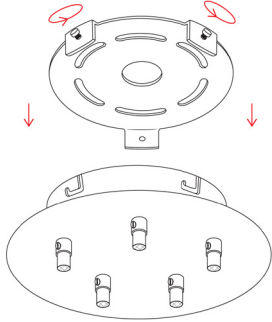
LIGHT BEYOND DESIGN

www.heathfield.co.uk | +44 (0) 1732 350450 | sales@heathfield.co.uk
Unit 1, Priory Road, Tonbridge, Kent, TN9 2AF, United Kingdom. © 2026 Heathfield & Co. All rights reserved.

Heathfield&Co

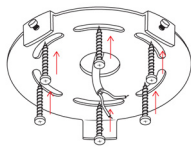
Installation Guide

CEILING LIGHT | NULA 5 LIGHT



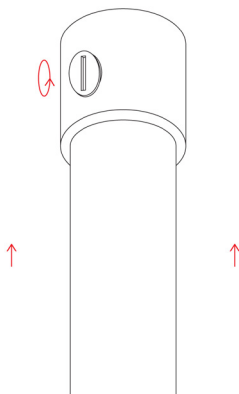
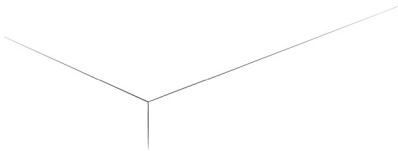
STEP 1

- Switch off the electricity at the mains fuse box. Turning off the power at the switch is not sufficient.
- Loosen the screws then twist & lift off the front ceiling rose. Please note you should not remove the screws fully.



STEP 2

- Fix the ceiling mount using appropriate fixings.



STEP 3

- If you need to adjust any of the lengths of the pendants, slightly loosen the cord grip screws using a flat head screwdriver. Please note you should not remove screws fully.
- Gently pull the flex through at the top of the ceiling rose until you have reached the desired length.
- If you do not need to adjust the lengths please skip step 3 and 4.

H&
CO

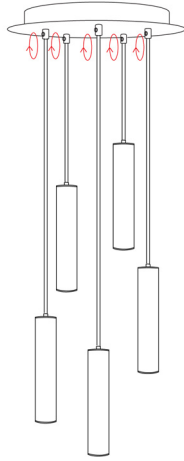
LIGHT BEYOND DESIGN

www.heathfield.co.uk | +44 (0) 1732 350450 | sales@heathfield.co.uk
Unit 1, Priory Road, Tonbridge, Kent, TN9 2AF, United Kingdom. © 2026 Heathfield & Co. All rights reserved.

Heathfield&Co

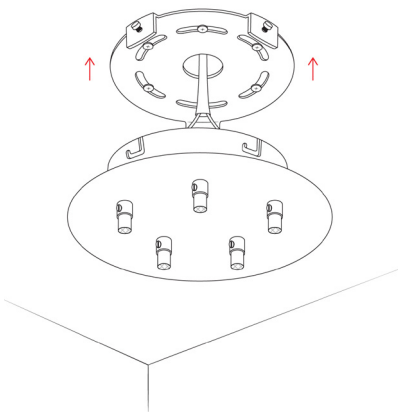
Installation Guide

CEILING LIGHT | NULA 5 LIGHT



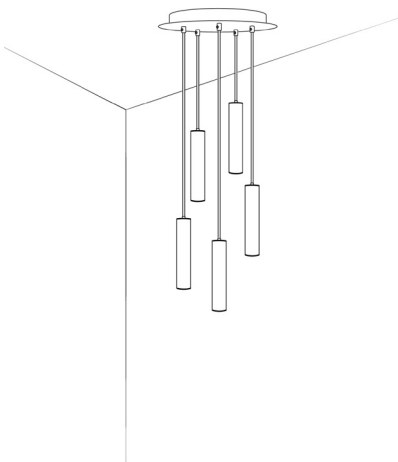
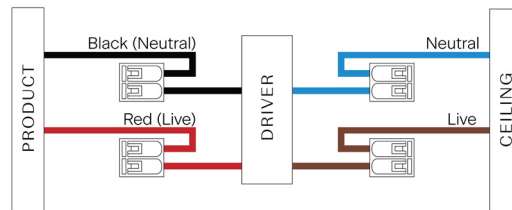
STEP 4

- Once the flex lengths have been adjusted, tighten the cord grip screws.
- If there are any flex cords sticking out at the top of the ceiling rose, push them back in so they sit below the very top edge of the ceiling rose.



STEP 5

- Offer the ceiling light up to the ceiling mount & make electrical connections, following the below wiring diagram. Please note you will need to hold the weight of the pendant while connecting the wires.
- Twist & lock the ceiling rose onto to ceiling mount & tighten screws.



STEP 6

- Switch the power back on.

H&
CO

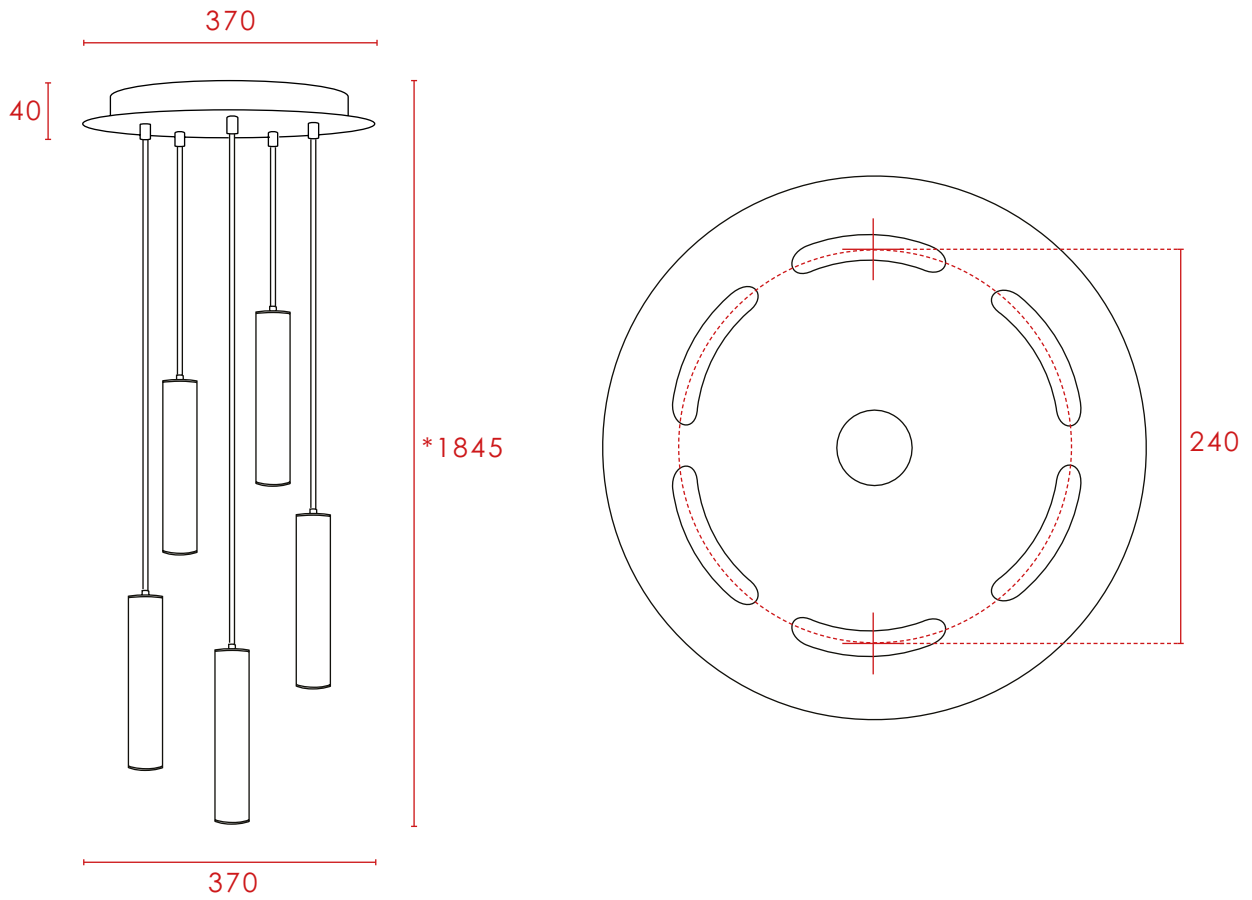
LIGHT BEYOND DESIGN

www.heathfield.co.uk | +44 (0) 1732 350450 | sales@heathfield.co.uk
Unit 1, Priory Road, Tonbridge, Kent, TN9 2AF, United Kingdom. © 2026 Heathfield & Co. All rights reserved.

Heathfield&Co

Installation Guide

CEILING LIGHT | NULA 5 LIGHT



Dimensions in mm and approximate.

*Flex drop length adjustable.

**H&
CO**

LIGHT BEYOND DESIGN

www.heathfield.co.uk | +44 (0) 1732 350450 | sales@heathfield.co.uk
Unit 1, Priory Road, Tonbridge, Kent, TN9 2AF, United Kingdom. © 2026 Heathfield & Co. All rights reserved.