

Heathfield&Co

Product Specification Sheet

WALL LIGHT | VITO LARGE



PRODUCT INFORMATION

Base Code: WL-VITO-DBNZ-LRG

Material: Metal

Finish shown: Bronze

TECHNICAL INFORMATION

Weight: 0.9kg / 2lbs

Switching & Plug: Hardwired

Lamping: Integrated LED 2700 Kelvin - 7W Mains

Driver contained within the back box.

Compatible with standard mains TRIAC dimmers.

Lumen Output: Approx. 600Lm

TOTAL HEIGHT: 130 mm / 5¹/₄"

TOTAL WIDTH: 570 mm / 22¹/₂"

PROJECTION: 215 mm / 8¹/₂"

UKCA / CE / WIRED USING US COMPONENTS*

*If you require a specific size of backplate for UL use, please inform our sales team

WARRANTY

10 years*

FINISHING NOTE

All metalwork is handcrafted and may vary from piece to piece with slight variation in finish and detailing.

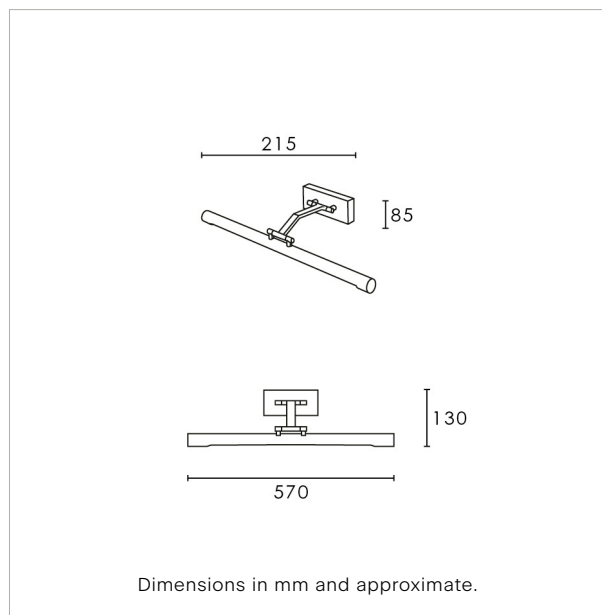
CLEANING INSTRUCTIONS

The finishes on this luminaire only require regular cleaning with a soft dry duster. Abrasive or chemical cleaners may harm the finish and should not be used.

FIXING NOTE

It is the buyer's responsibility to ensure that suitable fixings are used.

*Please refer to our Terms & Conditions for further information.



H&
CO

LIGHT BEYOND DESIGN

www.heathfield.co.uk | +44 (0) 1732 350450 | sales@heathfield.co.uk
Unit 1, Priory Road, Tonbridge, Kent, TN9 2AF, United Kingdom. This specification is subject to our standard Terms & Conditions, a copy of which can be found at heathfield.co.uk. © 2026 Heathfield & Co. All rights reserved.

Heathfield&Co

Product Specification Sheet

WALL LIGHT | VITO MEDIUM



PRODUCT INFORMATION

Base Code: WL-VITO-DBNZ-MED

Material: Metal

Metalwork: Bronze

TECHNICAL INFORMATION

Weight: 0.9kg / 2lbs

Switching & Plug: Hardwired

Lamping: Integrated LED 2700 Kelvin - 6W Mains

Driver contained within the back box.

Compatible with standard mains TRIAC dimmers.

Lumen Output: Approx. 200Lm

TOTAL HEIGHT: 120 mm / 4^{3/4}"

TOTAL WIDTH: 370 mm / 14^{3/4}"

PROJECTION: 215 mm / 8^{1/2}"

UKCA / CE / WIRED USING US COMPONENTS*

*If you require a specific size of backplate for UL use, please inform our sales team

WARRANTY

10 years*

FINISHING NOTE

All metalwork is handcrafted and may vary from piece to piece with slight variation in finish and detailing.

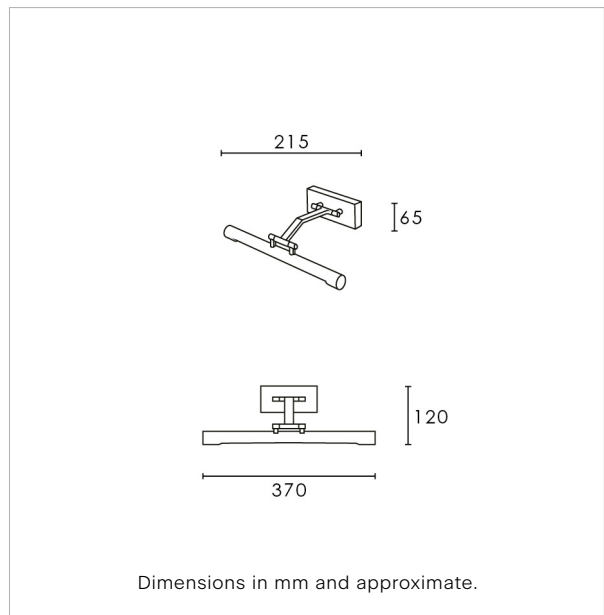
CLEANING INSTRUCTIONS

The finishes on this luminaire only require regular cleaning with a soft dry duster. Abrasive or chemical cleaners may harm the finish and should not be used.

FIXING NOTE

It is the buyer's responsibility to ensure that suitable fixings are used.

*Please refer to our Terms & Conditions for further information.



H&
CO

LIGHT BEYOND DESIGN

www.heathfield.co.uk | +44 (0) 1732 350450 | sales@heathfield.co.uk
Unit 1, Priory Road, Tonbridge, Kent, TN9 2AF, United Kingdom. This specification is subject to our standard Terms & Conditions, a copy of which can be found at heathfield.co.uk. © 2026 Heathfield & Co. All rights reserved.