

Heathfield&Co

Product Specification Sheet

WALL LIGHT | SILAS



PRODUCT INFORMATION

Base Code: WL-SILA-BRNZ-COFF-001

Material: Metal & Glass

Metalwork: Bronze

Finish shown: Coffee

TECHNICAL INFORMATION

Weight: 0.8kg / 1.7lbs

Switching & Plug: Hardwired

Lamping: 1x G9 lampholder / 1x G9 US lampholder

25W max. LED lamps recommended.

Lamps not included

TOTAL HEIGHT: 390 mm / 15^{1/2}"

TOTAL WIDTH: 130 mm / 5^{1/2}"

PROJECTION: 180 mm / 7"

UKCA / CE / WIRED USING US COMPONENTS

WARRANTY

10 years*

FINISHING NOTE

Our carefully selected glass and metalwork components are all hand finished by skilled artisans and as such no two products are exactly the same - something that adds to the unique charm of this product.

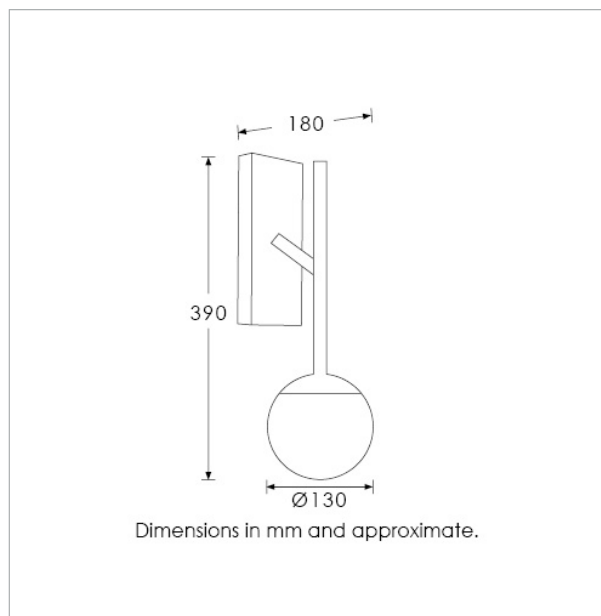
CLEANING INSTRUCTIONS

The finishes on this luminaire only require regular cleaning with a soft dry duster. Abrasive or chemical cleaners may harm the finish and should not be used.

FIXING NOTE

It is the buyer's responsibility to ensure that suitable fixings are used.

*Please refer to our Terms & Conditions for further information.



Dimensions in mm and approximate.

H&
CO

LIGHT BEYOND DESIGN