

# Heathfield&Co

## Product Specification Sheet

WALL LIGHT | OSCAR OPAL



### PRODUCT INFORMATION

Base Code: WL-OSCR-BBRZ-OPAL-000

Material: Glass and Wood

Finish shown: Opal and Smoked Oak

Metalwork: Blackened Bronze

### TECHNICAL INFORMATION

Weight: 0.8kg / 1.8lbs

Switching & Plug: Hardwired

Lamping: 1x G9 lampholder / 1x G9 US lampholder

25W max. LED lamps recommended.

Lamps not included

TOTAL HEIGHT: 200mm / 8"

TOTAL WIDTH: 135mm / 5<sup>1</sup>/<sub>4</sub>"

TOTAL PROJECTION: 150mm / 6"

UKCA / CE / WIRED USING US COMPONENTS

### WARRANTY

10 years\*

### FINISHING NOTE

Our carefully selected glass and metalwork components are all hand finished by skilled artisans and as such no two products are exactly the same - something that adds to the unique charm of this product.

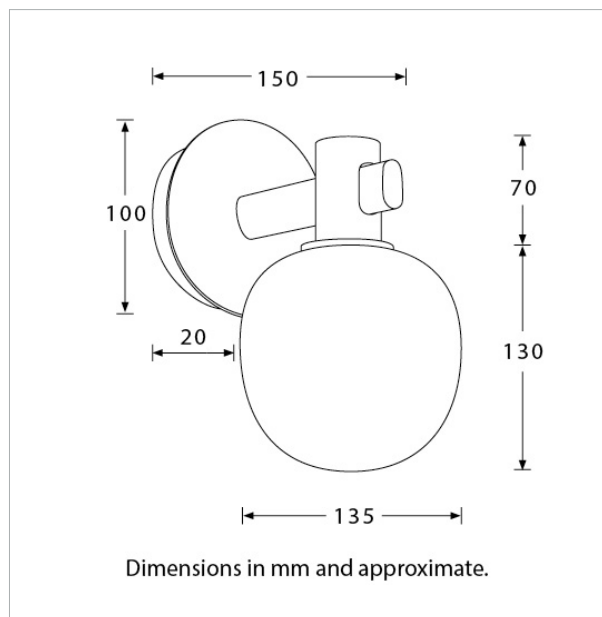
### CLEANING INSTRUCTIONS

The finishes on this luminaire only require regular cleaning with a soft dry duster. Abrasive or chemical cleaners may harm the finish and should not be used.

### FIXING NOTE

It is the buyer's responsibility to ensure that suitable fixings are used.

\*Please refer to our Terms & Conditions for further information.



H&  
CO

LIGHT BEYOND DESIGN

www.heathfield.co.uk | +44 (0) 1732 350450 | sales@heathfield.co.uk  
Unit 1, Priory Road, Tonbridge, Kent, TN9 2AF, United Kingdom. This specification is subject to our standard Terms & Conditions, a copy of which can be found at heathfield.co.uk. © 2023 Heathfield & Co. All rights reserved.

# Heathfield&Co

## Product Specification Sheet

WALL LIGHT | OSCAR BRONZE



### PRODUCT INFORMATION

Base Code: WL-OSCR-BBRZ-BRNZ-000

Material: Glass and Wood

Finish shown: Bronze and Smoked Oak

Metalwork: Blackened Bronze

### TECHNICAL INFORMATION

Weight: 0.8kg / 1.8lbs

Switching & Plug: Hardwired

Lamping: 1x G9 lampholder / 1x G9 US lampholder

25W max. LED lamps recommended.

Lamps not included

TOTAL HEIGHT: 200mm / 8"

TOTAL WIDTH: 135mm / 5<sup>1</sup>/<sub>4</sub>"

TOTAL PROJECTION: 150mm / 6"

UKCA / CE / WIRED USING US COMPONENTS

### WARRANTY

10 years\*

### FINISHING NOTE

Our carefully selected glass and metalwork components are all hand finished by skilled artisans and as such no two products are exactly the same - something that adds to the unique charm of this product.

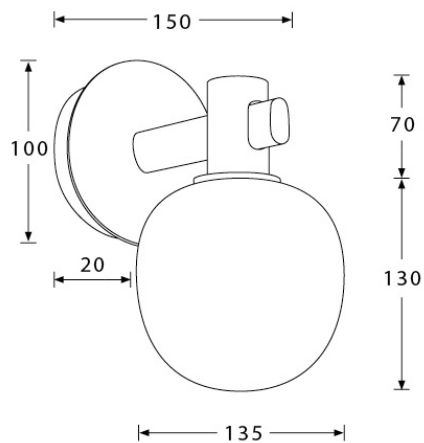
### CLEANING INSTRUCTIONS

The finishes on this luminaire only require regular cleaning with a soft dry duster. Abrasive or chemical cleaners may harm the finish and should not be used.

### FIXING NOTE

It is the buyer's responsibility to ensure that suitable fixings are used.

\*Please refer to our Terms & Conditions for further information.



Dimensions in mm and approximate.

H&  
CO

LIGHT BEYOND DESIGN