

# Heathfield&Co

## Product Specification Sheet

WALL LIGHT | NULA SATIN BRASS



### PRODUCT INFORMATION

Base Code: WL-NULA-SBRS-ALAB

Material: Alabaster

Finish shown: White

Metalwork: Satin Brass

### TECHNICAL INFORMATION

Weight: 3kg / 6.6lbs

Switching & Plug: Hardwired

Lamping: Integrated LED 2700 Kelvin Includes 15W

Dimmable Remote Driver

(Enquire for details of driver)

### IP RATED

TOTAL HEIGHT: 605 mm / 23<sup>3</sup>/<sub>4</sub>"

TOTAL WIDTH: 60 mm / 2<sup>1</sup>/<sub>2</sub>"

PROJECTION: 110 mm / 4<sup>1</sup>/<sub>2</sub>"

UKCA / CE / WIRED USING US COMPONENTS

### WARRANTY

10 years\*

### FINISHING NOTE

Alabaster is a natural material with distinctly unique formations, markings and colouration. It is part of its charm that no two lamps are exactly the same.

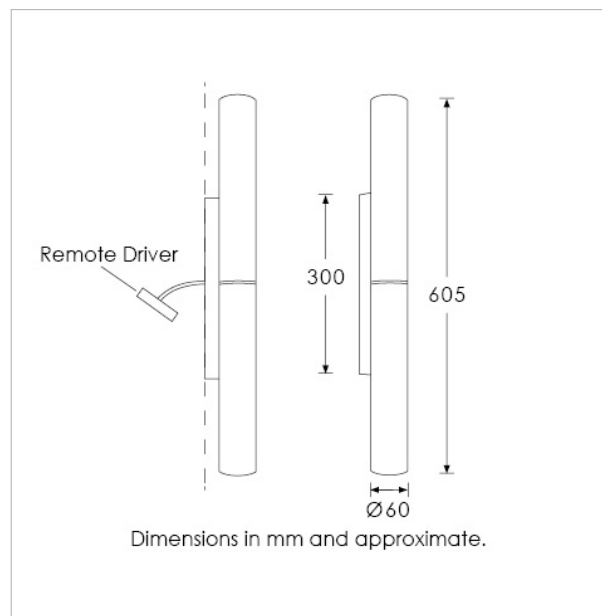
### CLEANING INSTRUCTIONS

The finishes on this luminaire only require regular cleaning with a soft dry duster. Abrasive or chemical cleaners may harm the finish and should not be used.

### FIXING NOTE

It is the buyer's responsibility to ensure that suitable fixings are used. The Nula wall light must be installed with the driver and cannot be wired directly into the mains.

\*Please refer to our Terms & Conditions for further information.



H&CO

LIGHT BEYOND DESIGN

# Heathfield&Co

## Product Specification Sheet

WALL LIGHT | NULA BRONZE



### PRODUCT INFORMATION

Base Code: WL-NULA-DBRZ-ALAB

Material: Alabaster

Finish shown: White

Metalwork: Bronze

### TECHNICAL INFORMATION

Weight: 3kg / 6.6lbs

Switching & Plug: Hardwired

Lamping: Integrated LED 2700 Kelvin Includes 15W

Dimmable Remote Driver

(Enquire for details of driver)

### IP RATED

TOTAL HEIGHT: 605 mm / 23<sup>3</sup>/<sub>4</sub>"

TOTAL WIDTH: 60 mm / 2<sup>1</sup>/<sub>2</sub>"

PROJECTION: 110 mm / 4<sup>1</sup>/<sub>2</sub>"

UKCA / CE / WIRED USING US COMPONENTS

### WARRANTY

10 years\*

### FINISHING NOTE

Alabaster is a natural material with distinctly unique formations, markings and colouration. It is part of its charm that no two lamps are exactly the same.

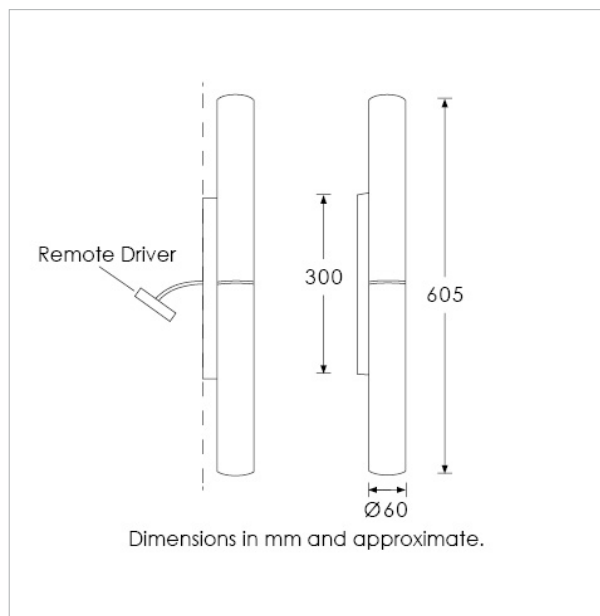
### CLEANING INSTRUCTIONS

The finishes on this luminaire only require regular cleaning with a soft dry duster. Abrasive or chemical cleaners may harm the finish and should not be used.

### FIXING NOTE

It is the buyer's responsibility to ensure that suitable fixings are used.

\*Please refer to our Terms & Conditions for further information.



H&CO

LIGHT BEYOND DESIGN