

Heathfield&Co

Product Specification Sheet

WALL LIGHT | NARA



PRODUCT INFORMATION

Base Code: WL-NARA-BRNZ-CLER

Material: Metal & Glass

Finish shown: Clear

Metalwork: Blackened Bronze

TECHNICAL INFORMATION

Weight: 1.8kg / 4lbs

Switching & Plug: Hardwired

Lamping: 1x E14 lampholder / 1x E12 US lampholder
25W max. LED lamps recommended.

Lamps not included

TOTAL HEIGHT: 240 mm / 9¹/₂"

TOTAL WIDTH: 180 mm / 7"

PROJECTION: 230 mm / 9"

UKCA / CE / UL COMPLIANT

WARRANTY

10 years*

FINISHING NOTE

Our carefully selected glass and metalwork components are all hand finished by skilled artisans and as such no two products are exactly the same - something that adds to the unique charm of this product.

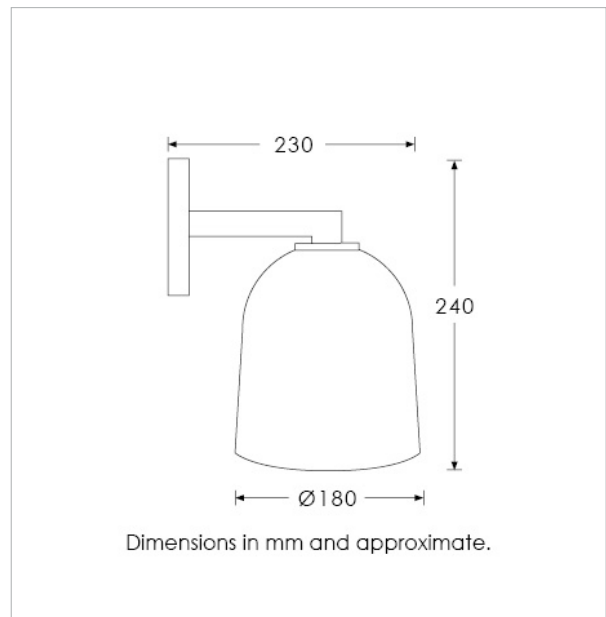
CLEANING INSTRUCTIONS

The finishes on this luminaire only require regular cleaning with a soft dry duster. Abrasive or chemical cleaners may harm the finish and should not be used. Shade to be dusted with a clean dry cloth.

FIXING NOTE

It is the buyer's responsibility to ensure that suitable fixings are used.

*Please refer to our Terms & Conditions for further information.



H&
CO

LIGHT BEYOND DESIGN

Heathfield&Co

Product Specification Sheet

WALL LIGHT | NARA ROSE



PRODUCT INFORMATION

Base Code: WL-NARA-SBRS-ROSE

Material: Metal & Glass

Finish shown: Rose

Metalwork: Satin Brass

TECHNICAL INFORMATION

Weight: 1.8kg / 4lbs

Switching & Plug: Hardwired

Lamping: 1x E14 lampholder / 1x E12 US lampholder
25W max. LED lamps recommended.

Lamps not included

TOTAL HEIGHT: 240 mm / 9¹/₂"

TOTAL WIDTH: 180 mm / 7"

PROJECTION: 230 mm / 9"

UKCA / CE / UL COMPLIANT

WARRANTY

10 years*

FINISHING NOTE

Our carefully selected glass and metalwork components are all hand finished by skilled artisans and as such no two products are exactly the same - something that adds to the unique charm of this product.

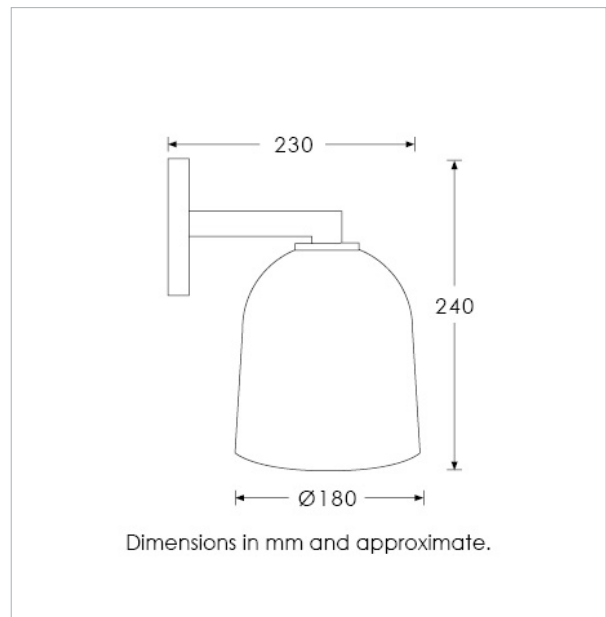
CLEANING INSTRUCTIONS

The finishes on this luminaire only require regular cleaning with a soft dry duster. Abrasive or chemical cleaners may harm the finish and should not be used. Shade to be dusted with a clean dry cloth.

FIXING NOTE

It is the buyer's responsibility to ensure that suitable fixings are used.

*Please refer to our Terms & Conditions for further information.



H&
CO

LIGHT BEYOND DESIGN