

Heathfield&Co

Product Specification Sheet

WALL LIGHT | LEON



PRODUCT INFORMATION

Base Code: WL-LEON-SBRS-MOCH

Material: Travertine & Metal

Metalwork: Satin Brass

Finish shown: Mocha

Lampshade: 11" Leon Drum / SH-11-LEON

TECHNICAL INFORMATION

Weight: 2.2kg / 4.8lbs

Switching & Plug: Hardwired

Lamping: 1x E27 lampholder / 1x E26 US lampholder

25W max. LED lamps recommended.

Lamps not included

TOTAL HEIGHT: 360 mm / 14¹/₄"

TOTAL WIDTH: 280 mm / 11"

PROJECTION: 360 mm / 14¹/₄"

UKCA / CE / WIRED USING US COMPONENTS

WARRANTY

10 years*

FINISHING NOTE

Travertine is a natural material with distinctly unique formations, markings and colouration. It is part of its charm that no two lamps are exactly the same. All metalwork is handcrafted and may vary from piece to piece with slight variations in finish and detailing.

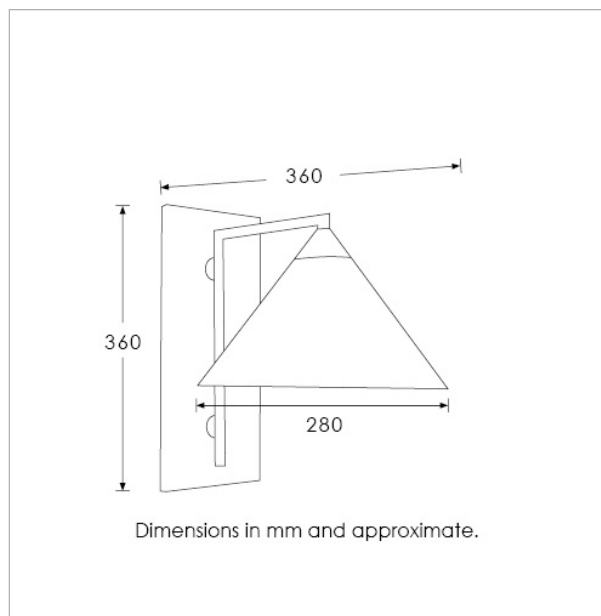
CLEANING INSTRUCTIONS

The finishes on this luminaire only require regular cleaning with a soft dry duster. Abrasive or chemical cleaners may harm the finish and should not be used. Shade to be dusted with a clean dry cloth.

FIXING NOTE

It is the buyer's responsibility to ensure that suitable fixings are used.

*Please refer to our Terms & Conditions for further information.



H&
CO

LIGHT BEYOND DESIGN