

Heathfield&Co

Product Specification Sheet

WALL LIGHT | INES



PRODUCT INFORMATION

Base Code: WL-INES-SBRS-IVRY-000

Material: Brass & Glass

Finish shown: Ivory

Metalwork: Satin Brass

TECHNICAL INFORMATION

Weight: 1.6kg /3.5lbs

Switching & Plug: Hardwired

Lamping: 1x G9 lampholder / 1x G9 US lampholder
25W max. LED lamps recommended.

Lamps not included

TOTAL HEIGHT: 355mm / 14"

TOTAL WIDTH: 135mm / 5¹/₂"

TOTAL PROJECTION: 210mm / 8³/₄"

UKCA / CE / WIRED USING US COMPONENTS

WARRANTY

10 years*

FINISHING NOTE

Our carefully selected glass and metalwork components are all hand finished by skilled artisans and as such no two products are exactly the same - something that adds to the unique charm of this product.

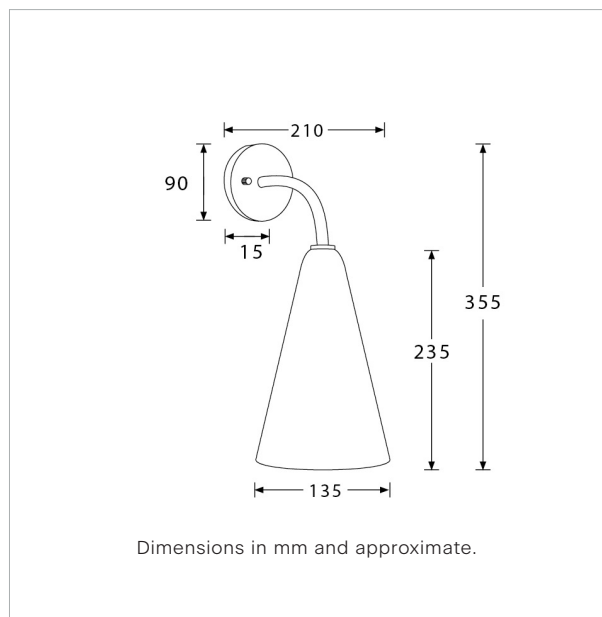
CLEANING INSTRUCTIONS

The finishes on this luminaire only require regular cleaning with a soft dry duster. Abrasive or chemical cleaners may harm the finish and should not be used.

FIXING NOTE

It is the buyer's responsibility to ensure that suitable fixings are used.

*Please refer to our Terms & Conditions for further information.



H&
CO

LIGHT BEYOND DESIGN