

Heathfield & Co

Product Specification Sheet

WALL LIGHT | EZRA BLACKENED BRONZE



PRODUCT INFORMATION

Base Code: WL-EZRA-BBRZ-BLCK-000

Material: Bronze & Marble

Finish shown: Black

Metalwork: Blackened Bronze

TECHNICAL INFORMATION

Weight: 1.3kg / 3lbs

Switching & Plug: Hardwired

Lamping: 1x G9 Lampholder / 1x G9 US lampholder

25W max. LED Lamps Recommended.

Lamps not included

TOTAL HEIGHT: 480mm / 19"

TOTAL WIDTH: 60mm / 2 1/2"

TOTAL PROJECTION: 235mm / 9 1/4"

UKCA / CE / WIRED USING US COMPONENTS

WARRANTY

10 years*

FINISHING NOTE

Marble is a natural material with distinctly unique formations, markings and colouration. It is part of its charm that no two lamps are exactly the same. All metalwork is handcrafted and may vary from piece to piece with slight variations in finish and detailing.

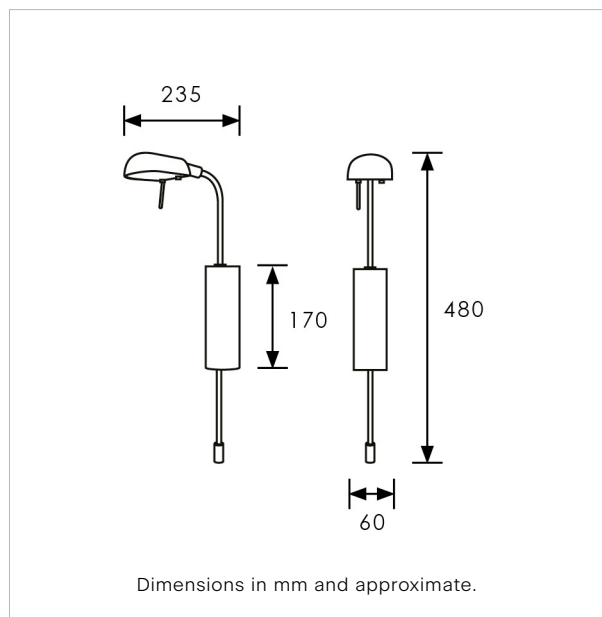
CLEANING INSTRUCTIONS

The finishes on this luminaire only require regular cleaning with a soft dry duster. Abrasive or chemical cleaners may harm the finish and should not be used.

FIXING NOTE

It is the buyer's responsibility to ensure that suitable fixings are used.

*Please refer to our Terms & Conditions for further information.



H&
CO

LIGHT BEYOND DESIGN

www.heathfield.co.uk | +44 (0) 1732 350450 | sales@heathfield.co.uk
Unit 1, Priory Road, Tonbridge, Kent, TN9 2AF, United Kingdom. This specification is subject to our standard Terms & Conditions, a copy of which can be found at heathfield.co.uk. © 2025 Heathfield & Co. All rights reserved.

Heathfield&Co

Product Specification Sheet

WALL LIGHT | EZRA SATIN BRASS



PRODUCT INFORMATION

Base Code: WL-EZRA-SBRS-MOCH-000

Material: Brass & Marble

Finish shown: Mocha

Metalwork: Satin Brass

TECHNICAL INFORMATION

Weight: 1.3kg / 3lbs

Switching & Plug: Hardwired

Lamping: 1x G9 Lampholder / 1x G9 US lampholder

25W max. LED Lamps Recommended.

Lamps not included

TOTAL HEIGHT: 480mm / 19"

TOTAL WIDTH: 60mm / 2¹/₂"

TOTAL PROJECTION: 235mm / 9¹/₄"

UKCA / CE / WIRED USING US COMPONENTS

WARRANTY

10 years*

FINISHING NOTE

Marble is a natural material with distinctly unique formations, markings and colouration. It is part of its charm that no two lamps are exactly the same. All metalwork is handcrafted and may vary from piece to piece with slight variations in finish and detailing.

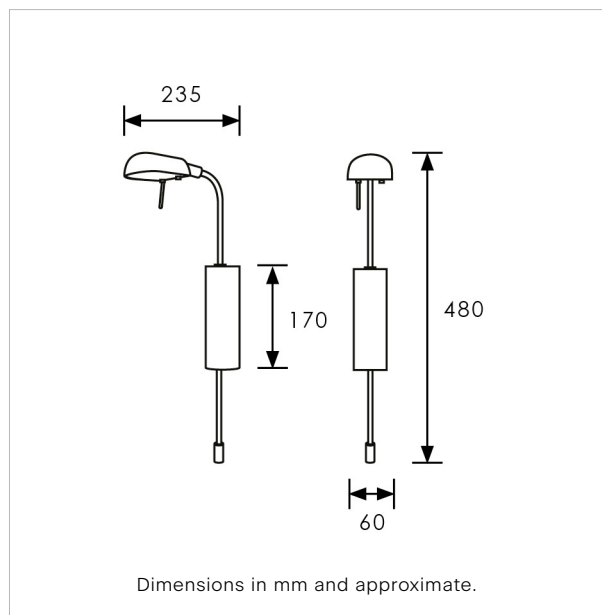
CLEANING INSTRUCTIONS

The finishes on this luminaire only require regular cleaning with a soft dry duster. Abrasive or chemical cleaners may harm the finish and should not be used.

FIXING NOTE

It is the buyer's responsibility to ensure that suitable fixings are used.

*Please refer to our Terms & Conditions for further information.



H&
CO

LIGHT BEYOND DESIGN

www.heathfield.co.uk | +44 (0) 1732 350450 | sales@heathfield.co.uk
Unit 1, Priory Road, Tonbridge, Kent, TN9 2AF, United Kingdom. This specification is subject to our standard Terms & Conditions, a copy of which can be found at heathfield.co.uk. © 2025 Heathfield & Co. All rights reserved.