

Heathfield&Co

Product Specification Sheet

WALL LIGHT | AGNES



PRODUCT INFORMATION

Base Code: WL-AGNE-BBRZ-PEAC

Material: Ceramic

Finish shown: Peacock

Metalwork: Blackened Bronze

TECHNICAL INFORMATION

Weight: 1.6kg / 3.5lbs

Switching & Plug: Hardwired

Lamping: 1x E27 lampholder / 1x E26 US lampholder
25W max. LED lamps recommended.

Lamps not included

TOTAL HEIGHT: 150 mm / 5.9"

TOTAL WIDTH: 220 mm / 8.6"

PROJECTION: 250 mm / 9.8"

UKCA / CE / UL COMPLIANT

WARRANTY

10 years*

FINISHING NOTE

The ceramic glazes that we have used on this lamp will create differences from piece to piece - variations in colour, formation and detailing. As such, it is part of the charm that no two products are exactly the same.

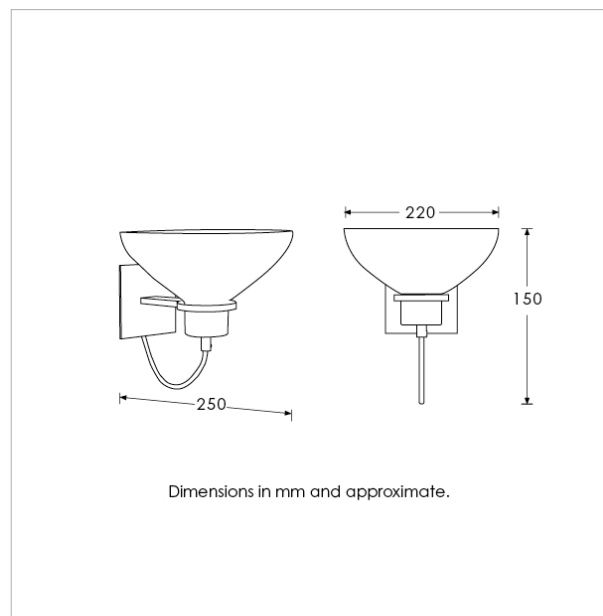
CLEANING INSTRUCTIONS

The finishes on this luminaire only require regular cleaning with a soft dry duster. Abrasive or chemical cleaners may harm the finish and should not be used.

FIXING NOTE

It is the buyer's responsibility to ensure that suitable fixings are used.

*Please refer to our Terms & Conditions for further information.



H&
CO

LIGHT BEYOND DESIGN

www.heathfield.co.uk | +44 (0) 1732 350450 | sales@heathfield.co.uk
Unit 1, Priory Road, Tonbridge, Kent, TN9 2AF, United Kingdom. This specification is subject to our standard Terms & Conditions, a copy of which can be found at heathfield.co.uk. © 2023 Heathfield & Co. All rights reserved.