

Heathfield&Co

Product Specification Sheet

WALL LIGHT | ARLO SATIN BRASS



PRODUCT INFORMATION

Base Code: WL-ARLO-SBRS

Material: Metal

Finish shown: Satin Brass

Lampshade: 11" Arlo Drum / SH-11-ARLO

TECHNICAL INFORMATION

Weight: 0.6kg / 1.3lbs

Switching & Plug: Hardwired

Lamping: 1x E27 lampholder / 1x E26 US lampholder
25W max. LED lamps recommended.

Lamps not included

TOTAL HEIGHT: 380 mm / 15"

SHADE WIDTH: 280 mm / 11"

PROJECTION: 340 mm / 13¹/₂"

UKCA / CE / UL COMPLIANT

WARRANTY

10 years*

FINISHING NOTE

All metalwork is handcrafted and may vary from piece to piece with slight variation in finish and detailing.

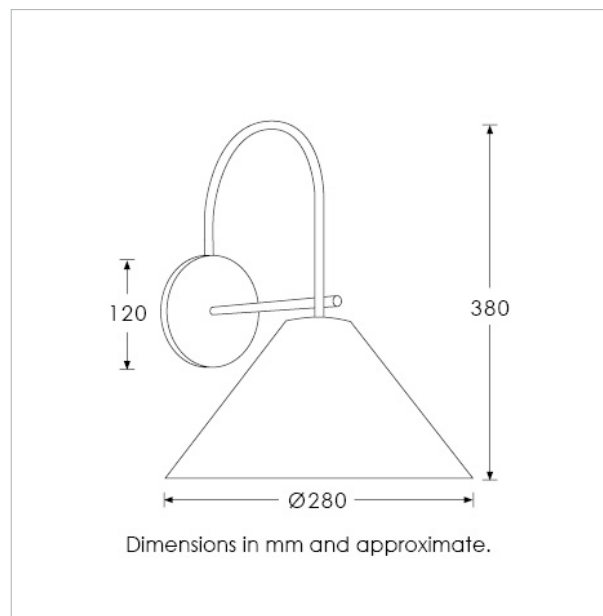
CLEANING INSTRUCTIONS

The finishes on this luminaire only require regular cleaning with a soft dry duster. Abrasive or chemical cleaners may harm the finish and should not be used. Shade to be dusted with a clean dry cloth.

FIXING NOTE

It is the buyer's responsibility to ensure that suitable fixings are used.

*Please refer to our Terms & Conditions for further information.



H&
CO

LIGHT BEYOND DESIGN

Heathfield&Co

Product Specification Sheet

WALL LIGHT | ARLO BLACKENED BRONZE



PRODUCT INFORMATION

Base Code: WL-ARLO-BRNZ
Material: Metal
Finish shown: Blackened Bronze
Lampshade: 11" Arlo Drum / SH-11-ARLO

TECHNICAL INFORMATION

Weight: 0.6kg / 1.3lbs
Switching & Plug: Hardwired
Lamping: 1x E27 lampholder / 1x E26 US lampholder
25W max. LED lamps recommended.
Lamps not included

TOTAL HEIGHT: 380 mm / 15"
SHADE WIDTH: 280 mm / 11"
PROJECTION: 340 mm / 13¹/₂"

UKCA / CE / UL COMPLIANT

WARRANTY

10 years*

FINISHING NOTE

All metalwork is handcrafted and may vary from piece to piece with slight variation in finish and detailing.

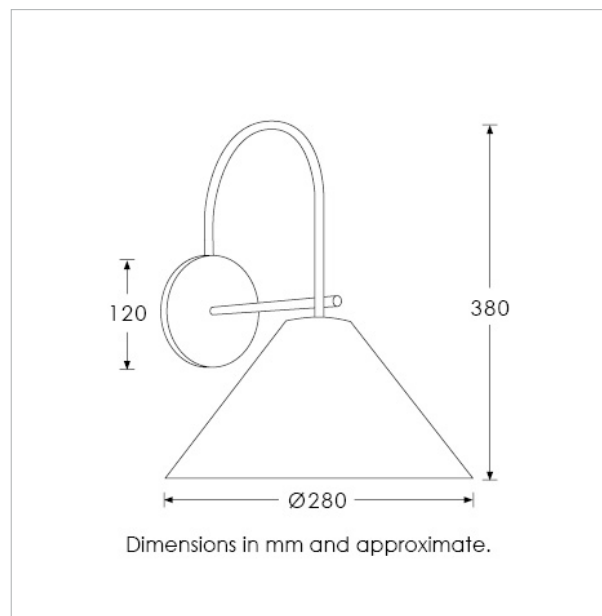
CLEANING INSTRUCTIONS

The finishes on this luminaire only require regular cleaning with a soft dry duster. Abrasive or chemical cleaners may harm the finish and should not be used. Shade to be dusted with a clean dry cloth.

FIXING NOTE

It is the buyer's responsibility to ensure that suitable fixings are used.

*Please refer to our Terms & Conditions for further information.



H&
CO

LIGHT BEYOND DESIGN