

Heathfield&Co

Product Specification Sheet

TABLE LAMP | THEBE PORTABLE



PRODUCT INFORMATION

Base Code: TL-THEB-WXBR-EMPR-PRT

Material: Marble, Brass & Glass

Finish shown: Emperador Marble & Opal Glass

Metalwork: Waxed Brass

Cable: 1 metre of charger cable with USB-C included

TECHNICAL INFORMATION

Weight: 2kg / 4.4lbs

Battery: 3.7V Rechargeable battery

5200mAh battery capacity. Approx. 9-12 Hours

Switching: 4 sections touch switch

Lamping: LED 2700 Kelvin. 2W mains

Lumen Output: Approx. 160Lm

BASE HEIGHT: 220mm / 8^{3/4}"

TOTAL HEIGHT: 325mm / 13"

BASE WIDTH: 110mm / 4^{1/2}"

SHADE WIDTH: 200mm / 8"

UKCA / CE

IP44 RATED

WARRANTY

2 years*

FINISHING NOTE

Marble is a natural material with distinctly unique formations, markings and colouration. It is part of its charm that no two lamps are exactly the same. All metalwork and glass is handcrafted and may vary from piece to piece with slight variations in finish and detailing.

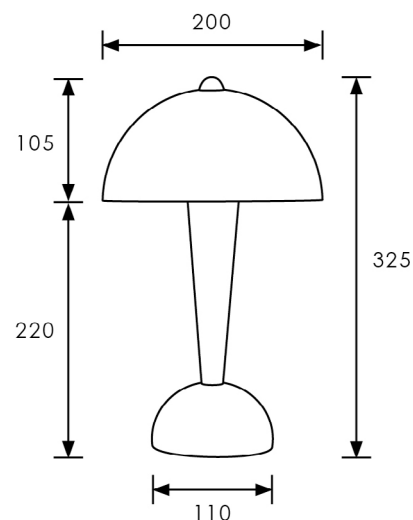
CLEANING INSTRUCTIONS

The finishes on this luminaire only require regular cleaning with a soft dry duster. Abrasive or chemical cleaners may harm the finish and should not be used.

FIXING NOTE

It is the buyer's responsibility to ensure that suitable fixings are used.

*Please refer to our Terms & Conditions for further information.



Dimensions in mm and approximate.

H&
CO

LIGHT BEYOND DESIGN