

Heathfield&Co

Product Specification Sheet

TABLE LAMP | ORION STEEL



PRODUCT INFORMATION

Base Code: TL-ORIO-ABRS-STEE

Material: Glass

Finish shown: Steel

Metalwork: Antique Brass

Lampshade: 14" Flat Drum / SH-14-FLDR

Flex: UK & EU 1.5 metres of Navy twisted flex / US

Black PVC flex

TECHNICAL INFORMATION

Weight: 1.5kg / 3.3lbs

Plug: Black 13amp UK plug /

Black Schuko EU plug / Black US polarised plug

Switching: Black inline switch

Lamping: 1x E27 lampholder / 1x E26 US lampholder

60W max. LED lamps recommended.

Lamps not included

BASE HEIGHT: 240 mm / 9¹/₂"

TOTAL HEIGHT: 440 mm / 17¹/₂"

BASE WIDTH: 270 mm / 10¹/₂"

SHADE WIDTH: 355 mm / 14"

UKCA / CE / UL COMPLIANT

WARRANTY

10 years*

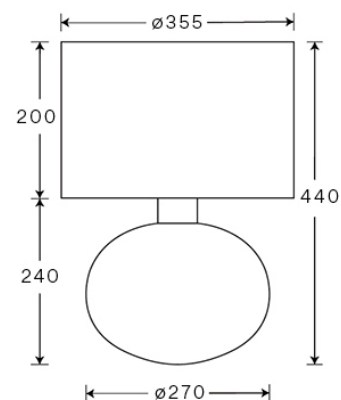
FINISHING NOTE

All our glasswork is hand blown and will vary from piece to piece - variations in form and proportion. Colour formation, pattern and finishing details are unique to each lamp and it is part of the charm that no two products are exactly the same.

CLEANING INSTRUCTIONS

The finishes on this luminaire only require regular cleaning with a soft dry duster. Abrasive or chemical cleaners may harm the finish and should not be used. Shade to be dusted with a clean dry cloth.

*Please refer to our Terms & Conditions for further information.



Dimensions in mm and approximate

H&
CO

LIGHT BEYOND DESIGN

Heathfield&Co

Product Specification Sheet

TABLE LAMP | ORION SUEDE



PRODUCT INFORMATION

Base Code: TL-ORIO-SBRS-SUED
Material: Glass
Finish shown: Suede
Metalwork: Satin Brass
Lampshade: 14" Flat Drum / SH-14-FLDR
Flex: UK & EU 1.5 metres of Ivory twisted flex / US White PVC flex

TECHNICAL INFORMATION

Weight: 1.5kg / 3.3lbs
Plug: White 13amp UK plug / White Schuko EU plug / White US polarised plug
Switching: White inline switch
Lamping: 1x E27 lampholder / 1x E26 US lampholder
60W max. LED lamps recommended.
Lamps not included

BASE HEIGHT: 240 mm / 9¹/₂"
TOTAL HEIGHT: 440 mm / 17¹/₂"
BASE WIDTH: 270 mm / 10¹/₂"
SHADE WIDTH: 355 mm / 14"

UKCA / CE / UL COMPLIANT

WARRANTY

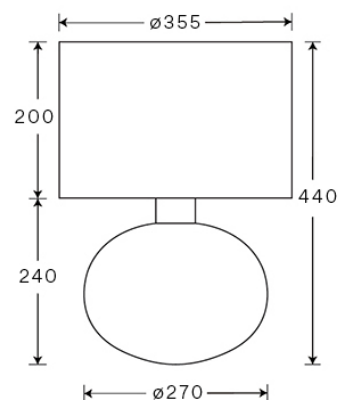
10 years*

FINISHING NOTE

All our glasswork is hand blown and will vary from piece to piece - variations in form and proportion. Colour formation, pattern and finishing details are unique to each lamp and it is part of the charm that no two products are exactly the same.

CLEANING INSTRUCTIONS

The finishes on this luminaire only require regular cleaning with a soft dry duster. Abrasive or chemical cleaners may harm the finish and should not be used. Shade to be dusted with a clean dry cloth.



Dimensions in mm and approximate

H&
CO

LIGHT BEYOND DESIGN