

Heathfield&Co

Product Specification Sheet

TABLE LAMP | NYX PORTABLE



PRODUCT INFORMATION

Base Code: TL-NYX0-WXBR-WXBR-PRT

Material: Brass & Glass

Finish shown: Opal Glass

Metalwork: Waxed Brass

Cable: 1 metre of charger cable with USB-C included

TECHNICAL INFORMATION

Weight: 1kg / 2.2lbs

Battery: 3.7V Rechargeable battery

5200mAh battery capacity. Approx. 9-12 Hours

Switching: 4 sections touch switch

Lamping: LED 2700 Kelvin. 2W mains

Lumen Output: Approx. 160Lm

BASE HEIGHT: 135mm / 5¹/₂"

TOTAL HEIGHT: 270mm / 10³/₄"

BASE WIDTH: 105mm / 4¹/₄"

SHADE WIDTH: 195mm / 7³/₄"

UKCA / CE

IP44 RATED

WARRANTY

2 years*

FINISHING NOTE

Our carefully selected glass and metalwork components are all hand finished by skilled artisans and as such no two products are exactly the same - something that adds to the unique charm of this product.

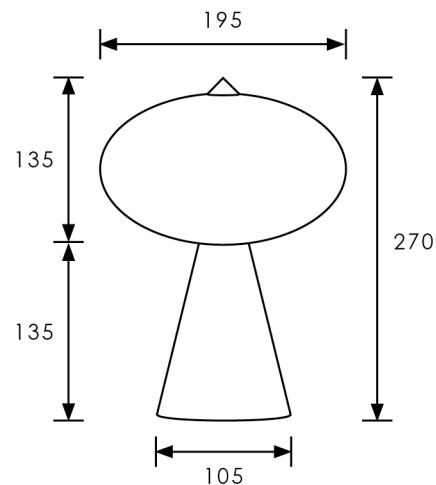
CLEANING INSTRUCTIONS

The finishes on this luminaire only require regular cleaning with a soft dry duster. Abrasive or chemical cleaners may harm the finish and should not be used.

FIXING NOTE

It is the buyer's responsibility to ensure that suitable fixings are used.

*Please refer to our Terms & Conditions for further information.



Dimensions in mm and approximate.

**H&
CO**

LIGHT BEYOND DESIGN

www.heathfield.co.uk | +44 (0) 1732 350450 | sales@heathfield.co.uk
Unit 1, Priory Road, Tonbridge, Kent, TN9 2AF, United Kingdom. This specification is subject to our standard Terms & Conditions, a copy of which can be found at heathfield.co.uk. © 2025 Heathfield & Co. All rights reserved.