

Heathfield&Co

Product Specification Sheet

TABLE LAMP | MILA



PRODUCT INFORMATION

Base Code: TL-MILA-SBRS-SALT-000

Material: Metal & Glass

Finish shown: Salt

Metalwork: Satin Brass

Lampshade: 12" Coolie Shade / SH-12-COOL

Flex: UK & EU 1.5 metres of Oatmeal braided flex /

US Oatmeal braided flex

TECHNICAL INFORMATION

Weight: 1.9kg / 4.2lbs

Plug: White 13amp UK plug /

White Schuko EU plug / WhiteUS polarised plug

Switching: White inline switch

Lamping: 1x E27 Pluto LED Bulb. 3W 2700K 240LM.

Supplied with our recommended Tala bulb (when selected).

BASE HEIGHT: 370 mm / 14³/₄"

TOTAL HEIGHT: 525 mm / 20³/₄"

BASE WIDTH: 175 mm / 7"

SHADE WIDTH: 305 mm / 12"

UKCA / CE / UL COMPLIANT

WARRANTY

10 years*

FINISHING NOTE

Our carefully selected glass and metalwork components are all hand finished by skilled artisans and as such no two products are exactly the same - something that adds to the unique charm of this product.

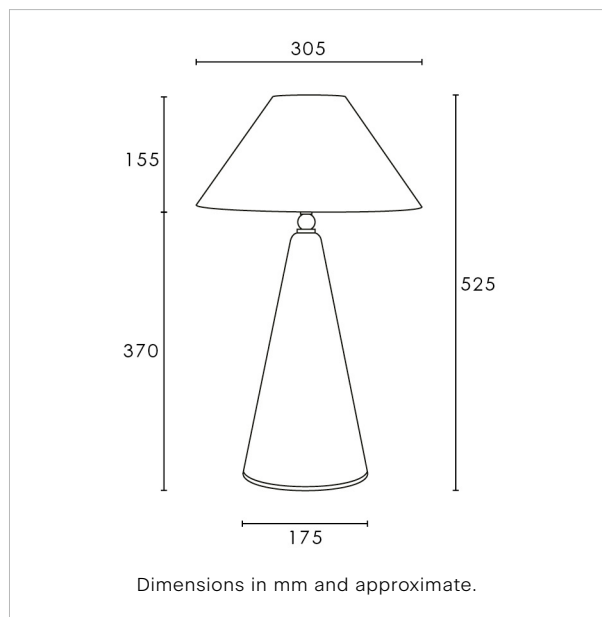
CLEANING INSTRUCTIONS

The finishes on this luminaire only require regular cleaning with a soft dry duster. Abrasive or chemical cleaners may harm the finish and should not be used.

FIXING NOTE

It is the buyer's responsibility to ensure that suitable fixings are used.

*Please refer to our Terms & Conditions for further information.



H&
CO

LIGHT BEYOND DESIGN

www.heathfield.co.uk | +44 (0) 1732 350450 | sales@heathfield.co.uk

Unit 1, Priory Road, Tonbridge, Kent, TN9 2AF, United Kingdom. This specification is subject to our standard Terms & Conditions, a copy of which can be found at heathfield.co.uk. © 2026 Heathfield & Co. All rights reserved.