

Heathfield&Co

Product Specification Sheet

TABLE LAMP | MARGOT



PRODUCT INFORMATION

Base Code: TL-MARG-SBRS-IVRY
Material: Ceramic
Finish shown: Ivory
Metalwork: Satin Brass
Lampshade: 18" Coolie / SH-18-COOL
Flex: UK & EU 1.5 metres of Ivory twisted flex /
US Ivory braided flex

TECHNICAL INFORMATION

Weight: 4.2kg / 9.2lbs
Plug: White 13amp UK plug /
White Schuko EU plug / White US polarised plug
Switching: White inline switch
Lamping: 1x E27 lampholder / 1x E26 US lampholder
60W max. LED lamps recommended.
Lamps not included

BASE HEIGHT: 420 mm / 16¹/₂"
TOTAL HEIGHT: 660 mm / 26"
BASE WIDTH: 250 mm / 10"
SHADE WIDTH: 460 mm / 18"

UKCA / CE / UL COMPLIANT

WARRANTY

10 years*

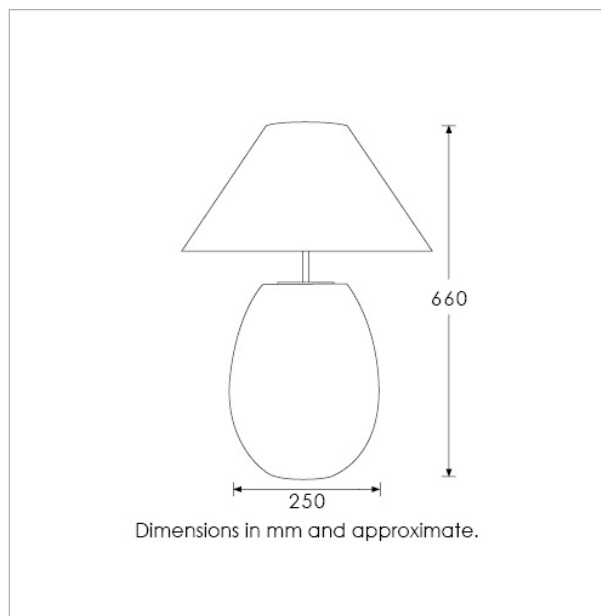
FINISHING NOTE

The ceramic glazes that we have used on this lamp will create differences from piece to piece - variations in colour, formation and detailing. As such, it is part of the charm that no two products are exactly the same.

CLEANING INSTRUCTIONS

The finishes on this luminaire only require regular cleaning with a soft dry duster. Abrasive or chemical cleaners may harm the finish and should not be used. Shade to be dusted with a clean dry cloth.

*Please refer to our Terms & Conditions for further information.



Dimensions in mm and approximate.

H&
CO

LIGHT BEYOND DESIGN