

# Heathfield&Co

## Product Specification Sheet

TABLE LAMP | JUDE OLIVE



### PRODUCT INFORMATION

Base Code: TL-JUDE-SBRS-OLIV-000

Material: Ceramic & Brass

Finish shown: Olive

Metalwork: Satin Brass

Flex: UK & EU 1.5 metres of Oatmeal braided flex /  
US Oatmeal braided cable

### TECHNICAL INFORMATION

Weight: 2.7kg / 6lbs

Plug: White 13amp UK plug /

White Schuko EU plug / White US polarised plug

Switching: White inline switch

Lamping: 1x E27 lampholder / 1x E26 US lampholder  
40W max. LED lamps recommended.

Lamps not included

BASE HEIGHT: 370mm / 14<sup>1</sup>/<sub>2</sub>"

TOTAL HEIGHT: 635mm / 25"

BASE WIDTH: 160mm / 6<sup>1</sup>/<sub>4</sub>"

SHADE WIDTH: 310mm / 12<sup>1</sup>/<sub>4</sub>"

UKCA / CE / UL COMPLIANT

### WARRANTY

10 years\*

### FINISHING NOTE

The ceramic glazes that we have used on this lamp will create differences from piece to piece - variations in colour, formation and detailing. As such, it is part of the charm that no two products are exactly the same.

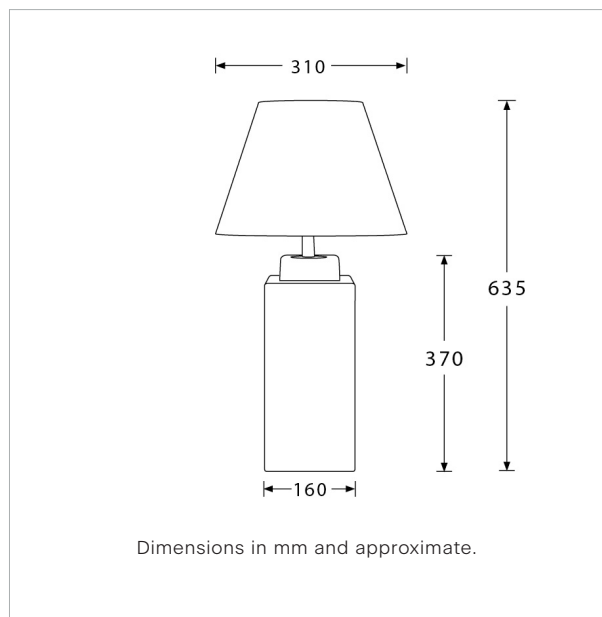
### CLEANING INSTRUCTIONS

The finishes on this luminaire only require regular cleaning with a soft dry duster. Abrasive or chemical cleaners may harm the finish and should not be used.

### FIXING NOTE

It is the buyer's responsibility to ensure that suitable fixings are used.

\*Please refer to our Terms & Conditions for further information.



H&  
CO

LIGHT BEYOND DESIGN

www.heathfield.co.uk | +44 (0) 1732 350450 | sales@heathfield.co.uk  
Unit 1, Priory Road, Tonbridge, Kent, TN9 2AF, United Kingdom. This specification is subject to our standard Terms & Conditions, a copy of which can be found at heathfield.co.uk. © 2023 Heathfield & Co. All rights reserved.

# Heathfield&Co

## Product Specification Sheet

TABLE LAMP | JUDE TERRACOTTA



### PRODUCT INFORMATION

Base Code: TL-JUDE-SBRS-TERA-000

Material: Ceramic & Brass

Finish shown: Terracotta

Metalwork: Satin Brass

Flex: UK & EU 1.5 metres of Oatmeal braided flex /  
US Oatmeal braided cable

### TECHNICAL INFORMATION

Weight: 2.7kg / 6lbs

Plug: White 13amp UK plug /

White Schuko EU plug / White US polarised plug

Switching: White inline switch

Lamping: 1x E27 lampholder / 1x E26 US lampholder  
40W max. LED lamps recommended.

Lamps not included

BASE HEIGHT: 370mm / 14<sup>1</sup>/<sub>2</sub>"

TOTAL HEIGHT: 635mm / 25"

BASE WIDTH: 160mm / 6<sup>1</sup>/<sub>4</sub>"

SHADE WIDTH: 310mm / 12<sup>1</sup>/<sub>4</sub>"

UKCA / CE / UL COMPLIANT

### WARRANTY

10 years\*

### FINISHING NOTE

The ceramic glazes that we have used on this lamp will create differences from piece to piece - variations in colour, formation and detailing. As such, it is part of the charm that no two products are exactly the same.

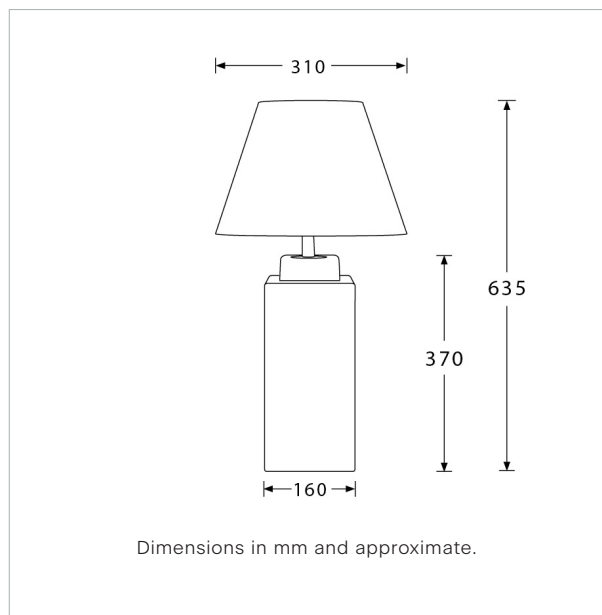
### CLEANING INSTRUCTIONS

The finishes on this luminaire only require regular cleaning with a soft dry duster. Abrasive or chemical cleaners may harm the finish and should not be used.

### FIXING NOTE

It is the buyer's responsibility to ensure that suitable fixings are used.

\*Please refer to our Terms & Conditions for further information.



H&  
CO

LIGHT BEYOND DESIGN