

# Heathfield&Co

## Product Specification Sheet

TABLE LAMP | ISLA SMOKE



### PRODUCT INFORMATION

Base Code: TL-ISLA-DBRZ-SMOK  
Material: Glass & Metal  
Finish shown: Smoke  
Metalwork: Blackened Bronze  
Lampshade: 12" Medium Drum / SH-12-MEDR  
Flex: UK & EU 1.5 metres of Black braided flex / US Black braided cable

### TECHNICAL INFORMATION

Weight: 2.4kg / 5.3lbs  
Plug: Black 13amp UK plug / Black Schuko EU plug / Black US polarised plug  
Switching: Black inline switch  
Lamping: 1x E27 lampholder / 1x E26 US lampholder  
60W max. LED lamps recommended.  
Lamps not included

BASE HEIGHT: 310 mm / 12<sup>1</sup>/<sub>4</sub>"  
TOTAL HEIGHT: 590 mm / 23<sup>1</sup>/<sub>4</sub>"  
BASE WIDTH: 290 mm / 11<sup>1</sup>/<sub>2</sub>"  
SHADE WIDTH: 300 mm / 11<sup>3</sup>/<sub>4</sub>"

UKCA / CE / UL COMPLIANT

### WARRANTY

10 years\*

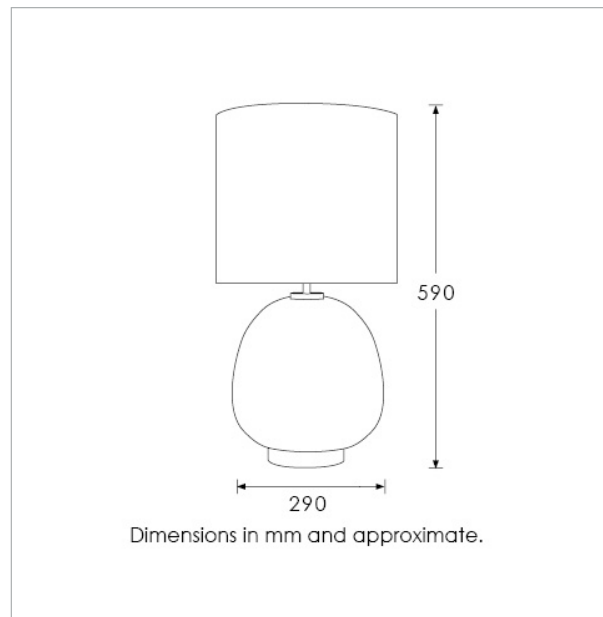
### FINISHING NOTE

All our glasswork is hand blown and will vary from piece to piece - variations in form and proportion. Colour formation, pattern and finishing details are unique to each lamp and it is part of the charm that no two products are exactly the same.

### CLEANING INSTRUCTIONS

The finishes on this luminaire only require regular cleaning with a soft dry duster. Abrasive or chemical cleaners may harm the finish and should not be used. Shade to be dusted with a clean dry cloth.

\*Please refer to our Terms & Conditions for further information.



H&C  
CO

LIGHT BEYOND DESIGN

# Heathfield&Co

## Product Specification Sheet

TABLE LAMP | ISLA OLIVE



### PRODUCT INFORMATION

Base Code: TL-ISLA-SBRS-OLIV

Material: Glass & Metal

Finish shown: Olive

Metalwork: Satin Brass

Lampshade: 12" Medium Drum / SH-12-MEDR

Flex: UK & EU 1.5 metres of Ivory twisted flex /

US Ivory braided cable

### TECHNICAL INFORMATION

Weight: 2.4kg / 5.3lbs

Plug: White 13amp UK plug /

White Schuko EU plug / White US polarised plug

Switching: White inline switch

Lamping: 1x E27 lampholder / 1x E26 US lampholder

60W max. LED lamps recommended.

Lamps not included

BASE HEIGHT: 310 mm / 12<sup>1</sup>/<sub>4</sub>"

TOTAL HEIGHT: 590 mm / 23<sup>1</sup>/<sub>4</sub>"

BASE WIDTH: 290 mm / 11<sup>1</sup>/<sub>2</sub>"

SHADE WIDTH: 300 mm / 11<sup>3</sup>/<sub>4</sub>"

UKCA / CE / UL COMPLIANT

### WARRANTY

10 years\*

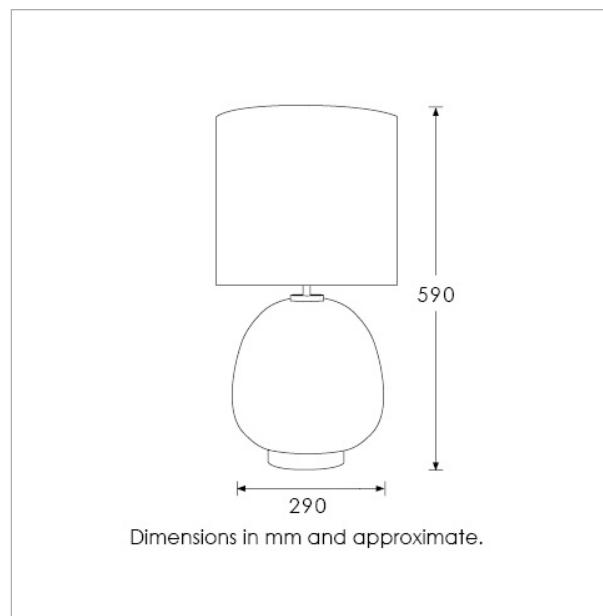
### FINISHING NOTE

All our glasswork is hand blown and will vary from piece to piece - variations in form and proportion. Colour formation, pattern and finishing details are unique to each lamp and it is part of the charm that no two products are exactly the same.

### CLEANING INSTRUCTIONS

The finishes on this luminaire only require regular cleaning with a soft dry duster. Abrasive or chemical cleaners may harm the finish and should not be used. Shade to be dusted with a clean dry cloth.

\*Please refer to our Terms & Conditions for further information.



H&CO

LIGHT BEYOND DESIGN