

# Heathfield & Co

## Product Specification Sheet

TABLE LAMP | GRACIE



### PRODUCT INFORMATION

Base Code: TL-GRAC-BRAB-ANTI  
Material: Wood & Glass  
Finish shown: Smoked Oak & Antique Frit  
Metalwork: Brushed Antique Brass  
Flex: UK & EU 1.5 metres of Oatmeal braided flex /  
US Oatmeal braided flex

### TECHNICAL INFORMATION

Weight: 2.2kg / 4.9lbs  
Plug: White 13amp UK plug /  
White Schuko EU plug / White US polarised plug  
Switching: White inline switch  
Lamping: 1x E14 Pygmy LED Bulb. 2W 2200K 120LM.  
Supplied with our recommended Tala bulb (when selected).

BASE HEIGHT: 330 mm / 13"  
TOTAL HEIGHT: 505 mm / 20"  
BASE WIDTH: 140 mm / 5 1/2"  
SHADE WIDTH: 230 mm / 9"

UKCA / CE / UL COMPLIANT

### WARRANTY

10 years\*

### FINISHING NOTE

Our carefully selected glass and metalwork components are all hand finished by skilled artisans and as such no two products are exactly the same - something that adds to the unique charm of this product.

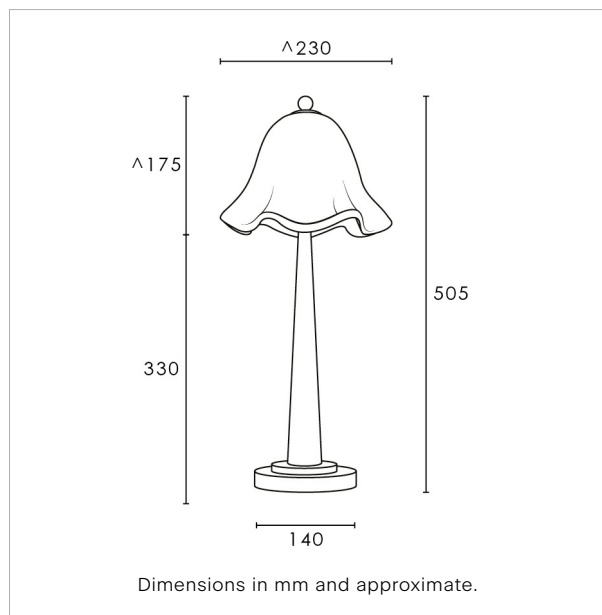
### CLEANING INSTRUCTIONS

The finishes on this luminaire only require regular cleaning with a soft dry duster. Abrasive or chemical cleaners may harm the finish and should not be used.

### FIXING NOTE

It is the buyer's responsibility to ensure that suitable fixings are used.

\*Please refer to our Terms & Conditions for further information.



^Due to the handmade nature of Gracie, subtle variations to the height and diameter of the glass are to be expected.

H&  
CO

LIGHT BEYOND DESIGN

www.heathfield.co.uk | +44 (0) 1732 350450 | sales@heathfield.co.uk  
Unit 1, Priory Road, Tonbridge, Kent, TN9 2AF, United Kingdom. This specification is subject to our standard Terms & Conditions, a copy of which can be found at heathfield.co.uk. © 2026 Heathfield & Co. All rights reserved.