

Heathfield&Co

Product Specification Sheet

TABLE LAMP | EVERLY OLIVE



PRODUCT INFORMATION

Base Code: TL-EVER-ABRS-OLIV-000

Material: Brass & Glass

Finish shown: Olive

Metalwork: Antique Brass

Flex: UK & EU 1.5 metres of Black braided flex /

US Black braided cable

TECHNICAL INFORMATION

Weight: 1.4kg / 3.1lbs

Plug: Black 13amp UK plug /

Black Schuko EU plug / Black US polarised plug

Switching: Black inline switch

Lamping: 1x E27 lampholder / 1x E26 US lampholder

40W max. LED lamps recommended.

Lamps not included

BASE HEIGHT: 260mm / 10¹/₄"

TOTAL HEIGHT: 440mm / 17¹/₂"

BASE WIDTH: 90mm / 3¹/₂"

SHADE WIDTH: 285mm / 11¹/₄"

UKCA / CE / UL COMPLIANT

WARRANTY

10 years*

FINISHING NOTE

Our carefully selected glass and metalwork components are all hand finished by skilled artisans and as such no two products are exactly the same - something that adds to the unique charm of this product.

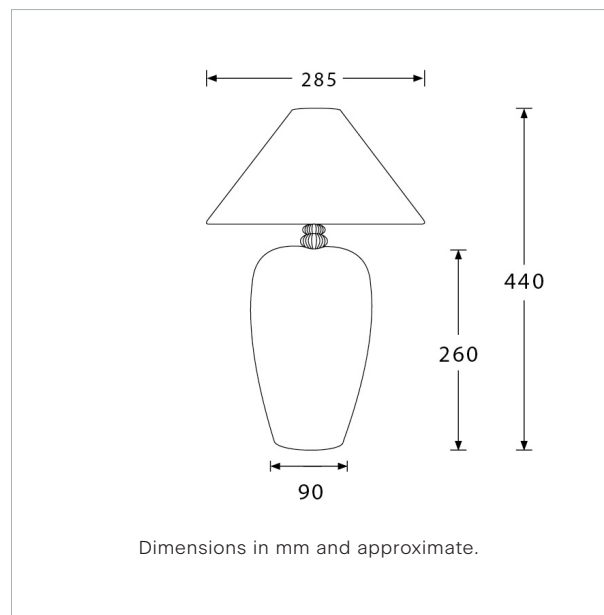
CLEANING INSTRUCTIONS

The finishes on this luminaire only require regular cleaning with a soft dry duster. Abrasive or chemical cleaners may harm the finish and should not be used.

FIXING NOTE

It is the buyer's responsibility to ensure that suitable fixings are used.

*Please refer to our Terms & Conditions for further information.



H&
CO

LIGHT BEYOND DESIGN

Heathfield&Co

Product Specification Sheet

TABLE LAMP | EVERLY SMOKE



PRODUCT INFORMATION

Base Code: TL-EVER-ABRS-SMOK-000

Material: Brass & Glass

Finish shown: Smoke

Metalwork: Antique Brass

Flex: UK & EU 1.5 metres of Black braided flex /
US Black braided cable

TECHNICAL INFORMATION

Weight: 1.4kg / 3.1lbs

Plug: Black 13amp UK plug /

Black Schuko EU plug / Black US polarised plug

Switching: Black inline switch

Lamping: 1x E27 lampholder / 1x E26 US lampholder
40W max. LED lamps recommended.

Lamps not included

BASE HEIGHT: 260mm / 10¹/₄"

TOTAL HEIGHT: 440mm / 17¹/₂"

BASE WIDTH: 90mm / 3¹/₂"

SHADE WIDTH: 285mm / 11¹/₄"

UKCA / CE / UL COMPLIANT

WARRANTY

10 years*

FINISHING NOTE

Our carefully selected glass and metalwork components are all hand finished by skilled artisans and as such no two products are exactly the same - something that adds to the unique charm of this product.

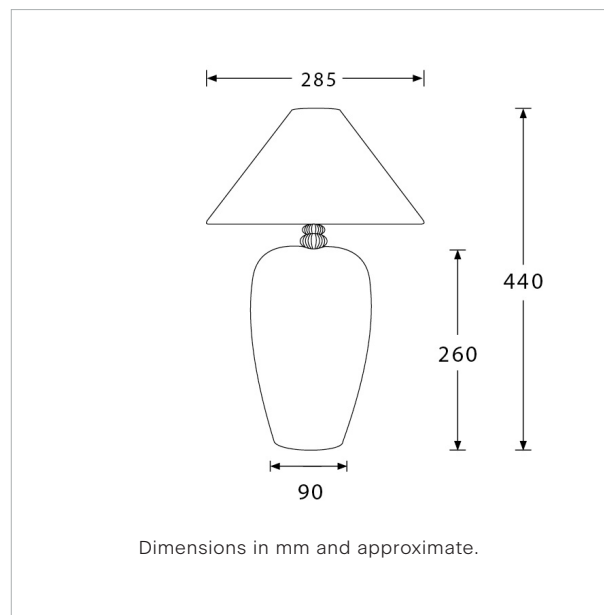
CLEANING INSTRUCTIONS

The finishes on this luminaire only require regular cleaning with a soft dry duster. Abrasive or chemical cleaners may harm the finish and should not be used.

FIXING NOTE

It is the buyer's responsibility to ensure that suitable fixings are used.

*Please refer to our Terms & Conditions for further information.



H&
CO

LIGHT BEYOND DESIGN

www.heathfield.co.uk | +44 (0) 1732 350450 | sales@heathfield.co.uk
Unit 1, Priory Road, Tonbridge, Kent, TN9 2AF, United Kingdom. This specification is subject to our standard Terms & Conditions, a copy of which can be found at heathfield.co.uk. © 2023 Heathfield & Co. All rights reserved.