

Heathfield&Co

Product Specification Sheet

TABLE LAMP | EOS PORTABLE



PRODUCT INFORMATION

Base Code: TL-EOS0-WXBR-WLNT-PRT

Material: Wood & Glass

Finish shown: Smoked Oak & Opal Glass

Metalwork: Waxed Brass

Cable: 1 metre of charger cable with USB-C included

TECHNICAL INFORMATION

Weight: 1kg / 2.2lbs

Battery: 3.7V Rechargeable battery

5200mAh battery capacity. Approx. 9-12 Hours

Switching: 4 sections touch switch

Lamping: LED 2700 Kelvin. 2W mains

Lumen Output: Approx. 160Lm

BASE HEIGHT: 135mm / 5¹/₂"

TOTAL HEIGHT: 270mm / 10³/₄"

BASE WIDTH: 105mm / 4¹/₄"

SHADE WIDTH: 195mm / 7³/₄"

UKCA / CE

IP44 RATED

WARRANTY

2 years*

FINISHING NOTE

Wood, as a natural material, presents distinctly unique grain, patterning and colouration. We use hand applied finishes and leafing and as such, it is part of the charm that no two products are exactly the same.

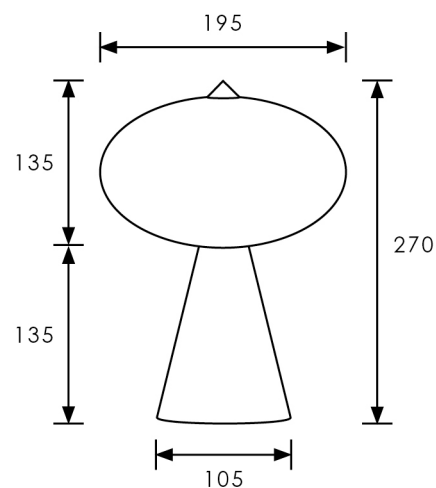
CLEANING INSTRUCTIONS

The finishes on this luminaire only require regular cleaning with a soft dry duster. Abrasive or chemical cleaners may harm the finish and should not be used.

FIXING NOTE

It is the buyer's responsibility to ensure that suitable fixings are used.

*Please refer to our Terms & Conditions for further information.



Dimensions in mm and approximate.

H&
CO

LIGHT BEYOND DESIGN

www.heathfield.co.uk | +44 (0) 1732 350450 | sales@heathfield.co.uk
Unit 1, Priory Road, Tonbridge, Kent, TN9 2AF, United Kingdom. This specification is subject to our standard Terms & Conditions, a copy of which can be found at heathfield.co.uk. © 2025 Heathfield & Co. All rights reserved.