

# Heathfield&Co

## Product Specification Sheet

TABLE LAMP | DUSK FLARE



### PRODUCT INFORMATION

Base Code: TL-DUSK-SBRS-FLAR

Material: Ceramic

Finish shown: Flare

Metalwork: Satin Brass

Lampshade: 14" Flat Drum / SH-14-FLDR-AMW

Flex: UK & EU 1.5 metres of Oatmeal braided flex /  
US Oatmeal braided flex

### TECHNICAL INFORMATION

Weight: 2kg / 4.4lbs

Plug: White 13amp UK plug /

White Schuko EU plug / White US polarised plug

Switching: White inline switch

Lamping: 1x E27 lampholder / 1x E26 US lampholder  
60W max. LED lamps recommended.

Lamps not included

BASE HEIGHT: 260 mm / 10"

TOTAL HEIGHT: 460 mm / 18"

BASE WIDTH: 185mm / 7"

SHADE WIDTH: 355 mm / 14"

UKCA / CE / UL COMPLIANT

### WARRANTY

10 years\*

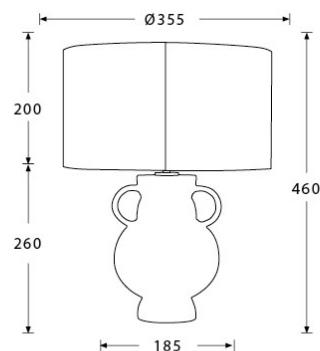
### FINISHING NOTE

The ceramic glazes that we have used on this lamp will create differences from piece to piece - variations in colour, formation and detailing. As such, it is part of the charm that no two products are exactly the same.

### CLEANING INSTRUCTIONS

The finishes on this luminaire only require regular cleaning with a soft dry duster. Abrasive or chemical cleaners may harm the finish and should not be used. Shade to be dusted with a clean dry cloth.

\*Please refer to our Terms & Conditions for further information.



Dimensions in mm and approximate.

H&  
CO

LIGHT BEYOND DESIGN

# Heathfield&Co

## Product Specification Sheet

TABLE LAMP | DUSK DRIFT



### PRODUCT INFORMATION

Base Code: TL-DUSK-SBRS-DRIF

Material: Ceramic

Finish shown: Drift

Metalwork: Satin Brass

Lampshade: 14" Flat Drum / SH-14-FLDR-AMW Flex:

UK & EU 1.5 metres of Oatmeal braided flex / US

Oatmeal braided flex

### TECHNICAL INFORMATION

Weight: 2kg / 4.4lbs

Plug: White 13amp UK plug /

White Schuko EU plug / White US polarised plug

Switching: White inline switch

Lamping: 1x E27 lampholder / 1x E26 US lampholder

60W max. LED lamps recommended.

Lamps not included

BASE HEIGHT: 260 mm / 10"

TOTAL HEIGHT: 460 mm / 18"

BASE WIDTH: 185mm / 7"

SHADE WIDTH: 355 mm / 14"

UKCA / CE / UL COMPLIANT

### WARRANTY

10 years\*

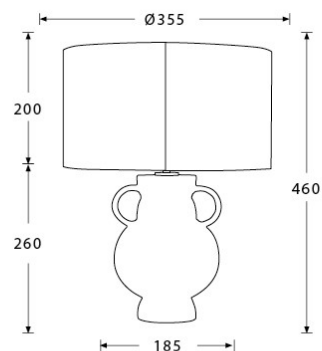
### FINISHING NOTE

The ceramic glazes that we have used on this lamp will create differences from piece to piece - variations in colour, formation and detailing. As such, it is part of the charm that no two products are exactly the same.

### CLEANING INSTRUCTIONS

The finishes on this luminaire only require regular cleaning with a soft dry duster. Abrasive or chemical cleaners may harm the finish and should not be used. Shade to be dusted with a clean dry cloth.

\*Please refer to our Terms & Conditions for further information.



Dimensions in mm and approximate.

H&C  
CO

LIGHT BEYOND DESIGN

# Heathfield&Co

## Product Specification Sheet

TABLE LAMP | DUSK MIST



### PRODUCT INFORMATION

Base Code: TL-DUSK-SBRS-MIST  
Material: Ceramic  
Finish shown: Mist  
Metalwork: Satin Brass  
Lampshade: 14" Flat Drum / SH-14-FLDR-AMW Flex:  
UK & EU 1.5 metres of Oatmeal braided flex / US  
Oatmeal braided flex

### TECHNICAL INFORMATION

Weight: 2kg / 4.4lbs  
Plug: White 13amp UK plug /  
White Schuko EU plug / White US polarised plug  
Switching: White inline switch  
Lamping: 1x E27 lampholder / 1x E26 US lampholder  
60W max. LED lamps recommended.  
Lamps not included

BASE HEIGHT: 260 mm / 10"  
TOTAL HEIGHT: 460 mm / 18"  
BASE WIDTH: 185mm / 7"  
SHADE WIDTH: 355 mm / 14"

UKCA / CE / UL COMPLIANT

### WARRANTY

10 years\*

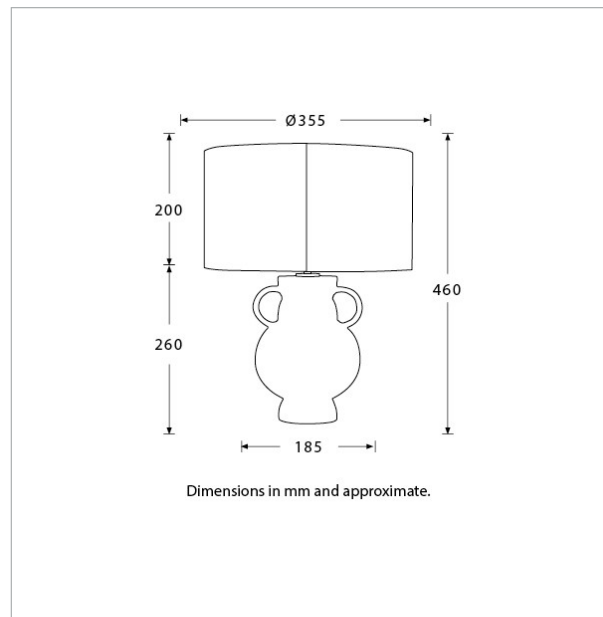
### FINISHING NOTE

The ceramic glazes that we have used on this lamp will create differences from piece to piece - variations in colour, formation and detailing. As such, it is part of the charm that no two products are exactly the same.

### CLEANING INSTRUCTIONS

The finishes on this luminaire only require regular cleaning with a soft dry duster. Abrasive or chemical cleaners may harm the finish and should not be used. Shade to be dusted with a clean dry cloth.

\*Please refer to our Terms & Conditions for further information.



H&  
CO

LIGHT BEYOND DESIGN

# Heathfield&Co

## Product Specification Sheet

TABLE LAMP | DUSK BEAM



### PRODUCT INFORMATION

Base Code: TL-DUSK-SBRS-BEAM

Material: Ceramic

Finish shown: Beam

Metalwork: Satin Brass

Lampshade: 14" Flat Drum / SH-14-FLDR-AMW Flex:

UK & EU 1.5 metres of Oatmeal braided flex / US

Oatmeal braided flex

### TECHNICAL INFORMATION

Weight: 2kg / 4.4lbs

Plug: White 13amp UK plug /

White Schuko EU plug / White US polarised plug

Switching: White inline switch

Lamping: 1x E27 lampholder / 1x E26 US lampholder

60W max. LED lamps recommended.

Lamps not included

BASE HEIGHT: 260 mm / 10"

TOTAL HEIGHT: 460 mm / 18"

BASE WIDTH: 185mm / 7"

SHADE WIDTH: 355 mm / 14"

UKCA / CE / UL COMPLIANT

### WARRANTY

10 years\*

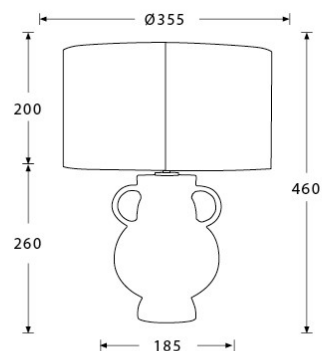
### FINISHING NOTE

The ceramic glazes that we have used on this lamp will create differences from piece to piece - variations in colour, formation and detailing. As such, it is part of the charm that no two products are exactly the same.

### CLEANING INSTRUCTIONS

The finishes on this luminaire only require regular cleaning with a soft dry duster. Abrasive or chemical cleaners may harm the finish and should not be used. Shade to be dusted with a clean dry cloth.

\*Please refer to our Terms & Conditions for further information.



Dimensions in mm and approximate.

H&CO

LIGHT BEYOND DESIGN

# Heathfield&Co

## Product Specification Sheet

TABLE LAMP | DUSK DAZE



### PRODUCT INFORMATION

Base Code: TL-DUSK-SBRS-DAZE

Material: Ceramic

Finish shown: Daze

Metalwork: Satin Brass

Lampshade: 14" Flat Drum / SH-14-FLDR-AMW Flex:

UK & EU 1.5 metres of Oatmeal braided flex / US

Oatmeal braided flex

### TECHNICAL INFORMATION

Weight: 2kg / 4.4lbs

Plug: White 13amp UK plug /

White Schuko EU plug / White US polarised plug

Switching: White inline switch

Lamping: 1x E27 lampholder / 1x E26 US lampholder

60W max. LED lamps recommended.

Lamps not included

BASE HEIGHT: 260 mm / 10"

TOTAL HEIGHT: 460 mm / 18"

BASE WIDTH: 185mm / 7"

SHADE WIDTH: 355 mm / 14"

UKCA / CE / UL COMPLIANT

### WARRANTY

10 years\*

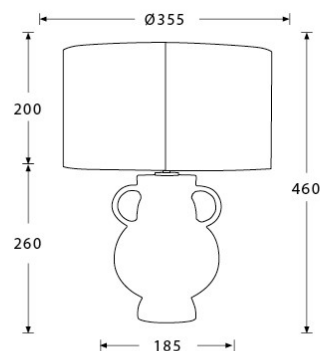
### FINISHING NOTE

The ceramic glazes that we have used on this lamp will create differences from piece to piece - variations in colour, formation and detailing. As such, it is part of the charm that no two products are exactly the same.

### CLEANING INSTRUCTIONS

The finishes on this luminaire only require regular cleaning with a soft dry duster. Abrasive or chemical cleaners may harm the finish and should not be used. Shade to be dusted with a clean dry cloth.

\*Please refer to our Terms & Conditions for further information.



Dimensions in mm and approximate.

H&  
CO

LIGHT BEYOND DESIGN