

# Heathfield&Co

## Product Specification Sheet

TABLE LAMP | CAIUS CHAMPAGNE



### PRODUCT INFORMATION

Base Code: TL-CAIU-BRNZ-CHAM

Material: Glass

Finish shown: Champagne

Metalwork: Bronze

Lampshade: 16" Roman Drum / SH-16-RMDR

Flex: UK & EU 1.5 metres of Antique Gold twisted flex / US Black PVC flex

### TECHNICAL INFORMATION

Weight: 3.9kg / 8.5lbs

Plug: Black 13amp UK plug /

Black Schuko EU plug / Black US polarised plug

Switching: Black inline switch

Lamping: 1x E27 lampholder / 1x E26 US lampholder

60W max. LED lamps recommended.

Lamps not included

BASE HEIGHT: 445 mm / 17<sup>1/2</sup>"

TOTAL HEIGHT: 705 mm / 27<sup>3/4</sup>"

BASE WIDTH: 170 mm / 6<sup>3/4</sup>"

SHADE WIDTH: 405 mm / 16"

UKCA / CE / UL COMPLIANT

### WARRANTY

10 years\*

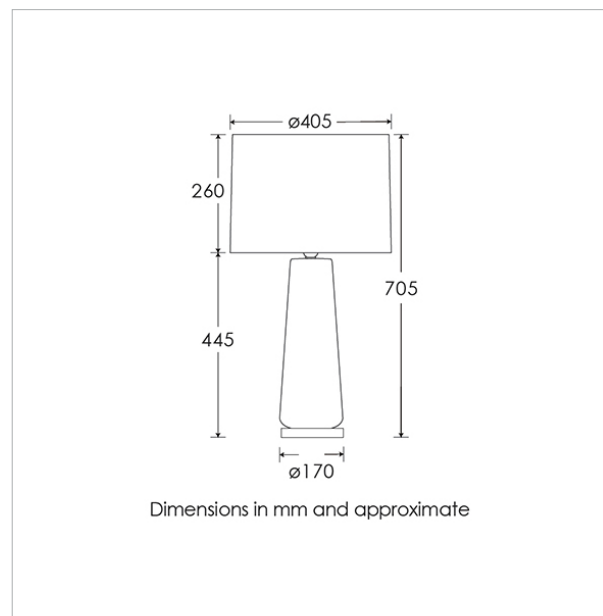
### FINISHING NOTE

All our glasswork is hand blown and will vary from piece to piece - variations in form and proportion. Colour formation, pattern and finishing details are unique to each lamp and it is part of the charm that no two products are exactly the same.

### CLEANING INSTRUCTIONS

The finishes on this luminaire only require regular cleaning with a soft dry duster. Abrasive or chemical cleaners may harm the finish and should not be used. Shade to be dusted with a clean dry cloth.

\*Please refer to our Terms & Conditions for further information.



H&CO

LIGHT BEYOND DESIGN

# Heathfield&Co

## Product Specification Sheet

TABLE LAMP | CAIUS MINERAL



### PRODUCT INFORMATION

Base Code: TL-CAIU-PLNL-MRAL

Material: Glass

Finish shown: Mineral

Metalwork: Polished Nickel

Lampshade: 16" Roman Drum / SH-16-RMDR

Flex: UK & EU 1.5 metres of Old Silver twisted flex /  
US Old Silver braided flex

### TECHNICAL INFORMATION

Weight: 3.9kg / 8.5lbs

Plug: Black 13amp UK plug /

Black Schuko EU plug / Black US polarised plug

Switching: Black inline switch

Lamping: 1x E27 lampholder / 1x E26 US lampholder  
60W max. LED lamps recommended.

Lamps not included

BASE HEIGHT: 445 mm / 17<sup>1/2</sup>"

TOTAL HEIGHT: 705 mm / 27<sup>3/4</sup>"

BASE WIDTH: 170 mm / 6<sup>3/4</sup>"

SHADE WIDTH: 405 mm / 16"

UKCA / CE / UL COMPLIANT

### WARRANTY

10 years\*

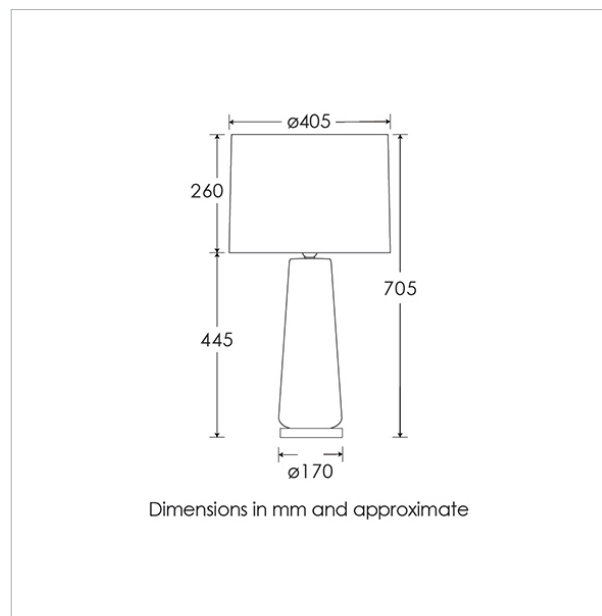
### FINISHING NOTE

All our glasswork is hand blown and will vary from piece to piece - variations in form and proportion. Colour formation, pattern and finishing details are unique to each lamp and it is part of the charm that no two products are exactly the same.

### CLEANING INSTRUCTIONS

The finishes on this luminaire only require regular cleaning with a soft dry duster. Abrasive or chemical cleaners may harm the finish and should not be used. Shade to be dusted with a clean dry cloth.

\*Please refer to our Terms & Conditions for further information.



H&  
CO

LIGHT BEYOND DESIGN