

Heathfield&Co

Product Specification Sheet

TABLE LAMP | BLANCA



PRODUCT INFORMATION

Base Code: TL-BLAN-ABRS-ALAB

Material: Alabaster

Finish shown: Alabaster

Metalwork: Antique Brass

Lampshade: 16" Roman Drum / SH-16-RMDR

Flex: UK & EU 1.5 metres of Ivory twisted flex /

US Ivory braided flex

TECHNICAL INFORMATION

Weight: 8kg / 17.6lbs

Plug: White 13amp UK plug /

White Schuko EU plug / White US polarised plug

Switching: White inline switch

Lamping: 1x E27 lampholder / 1x E26 US lampholder

60W max. LED lamps recommended.

Lamps not included

BASE HEIGHT: 455 mm / 18"

TOTAL HEIGHT: 715 mm / 28"

BASE WIDTH: 130 mm / 5"

SHADE WIDTH: 405 mm / 16"

UKCA / CE / UL COMPLIANT

WARRANTY

10 years*

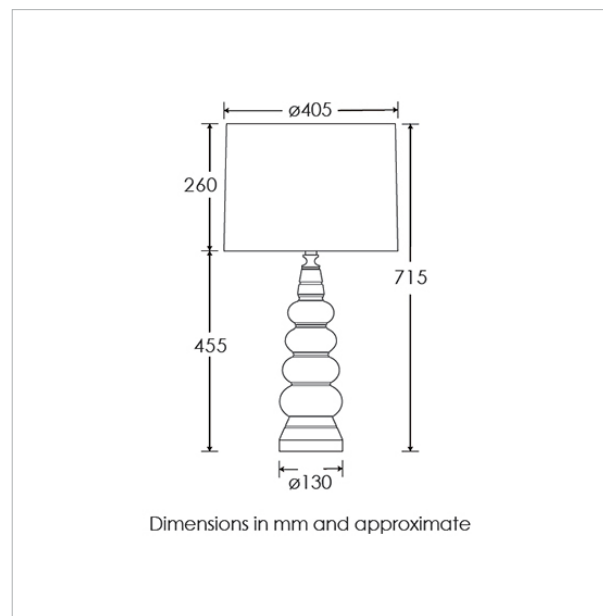
FINISHING NOTE

Alabaster is a natural material with distinctly unique formations, markings and colouration. It is part of its charm that no two lamps are exactly the same.

CLEANING INSTRUCTIONS

The finishes on this luminaire only require regular cleaning with a soft dry duster. Abrasive or chemical cleaners may harm the finish and should not be used. Shade to be dusted with a clean dry cloth.

*Please refer to our Terms & Conditions for further information.



H&CO

LIGHT BEYOND DESIGN