

# Heathfield&Co

## Product Specification Sheet

TABLE LAMP | AURIA



### PRODUCT INFORMATION

Base Code: TL-AURIO-SBRS-ALAB

Material: Alabaster

Finish shown: White

Metalwork: Satin Brass

Lampshade: 10" Medium Drum / SH-10-MEDR

Flex: UK & EU 1.5 metres of Ivory twisted flex /

US Ivory braided cable

### TECHNICAL INFORMATION

Weight: 3.5kg / 7.7lbs

Plug: White 13amp UK plug /

White Schuko EU plug / White US polarised plug

Switching: White inline switch

Lamping: 1x E27 lampholder / 1x E26 US lampholder

60W max. LED lamps recommended.

Lamps not included

BASE HEIGHT: 245 mm / 9<sup>1</sup>/<sub>2</sub>"

TOTAL HEIGHT: 500 mm / 19<sup>3</sup>/<sub>4</sub>"

BASE WIDTH: 170 mm / 6<sup>3</sup>/<sub>4</sub>"

SHADE WIDTH: 250 mm / 10"

UKCA / CE / UL COMPLIANT

### WARRANTY

10 years\*

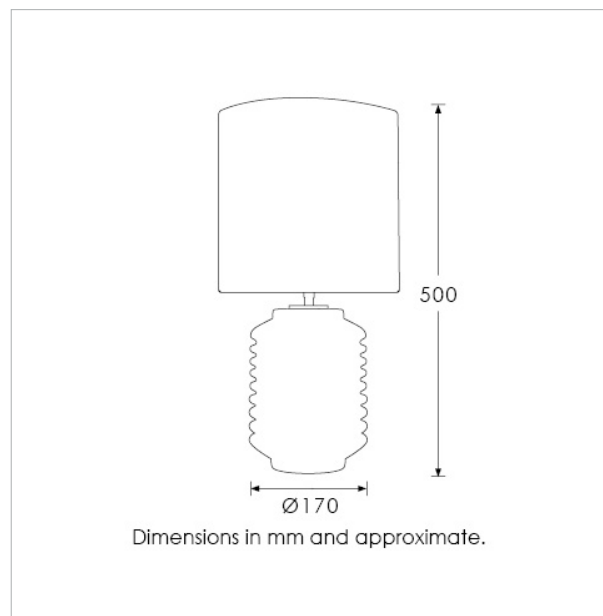
### FINISHING NOTE

Alabaster is a natural material with distinctly unique formations, markings and colouration. It is part of its charm that no two lamps are exactly the same.

### CLEANING INSTRUCTIONS

The finishes on this luminaire only require regular cleaning with a soft dry duster. Abrasive or chemical cleaners may harm the finish and should not be used. Shade to be dusted with a clean dry cloth.

\*Please refer to our Terms & Conditions for further information.



H&CO

LIGHT BEYOND DESIGN