

Heathfield&Co

Product Specification Sheet

TABLE LAMP | ARLO SATIN BRASS



PRODUCT INFORMATION

Base Code: TL-ARLO-SBRS
Material: Metal
Metalwork: Satin Brass
Lampshade: 11" Arlo Shade / SH-11-ARLO
Flex: UK & EU 1.5 metres of Black braided flex /
US Black braided flex

TECHNICAL INFORMATION

Weight: 1.6kg / 3.5lbs
Plug: Black 13amp UK plug /
Black Schuko EU plug / Black US polarised plug
Switching: Black inline switch
Lamping: 1x E27 Pluto LED Bulb. 3W 2700K 240LM.
Supplied with our recommended Tala bulb (when selected).

BASE HEIGHT: 490 mm / 19¹/₄"

TOTAL HEIGHT: 490 mm / 19¹/₄"

BASE WIDTH: 190 mm / 7¹/₂"

SHADE WIDTH: 280 mm / 11"

UKCA / CE / UL COMPLIANT

WARRANTY

10 years*

FINISHING NOTE

All metalwork is handcrafted and may vary from piece to piece with slight variation in finish and detailing.

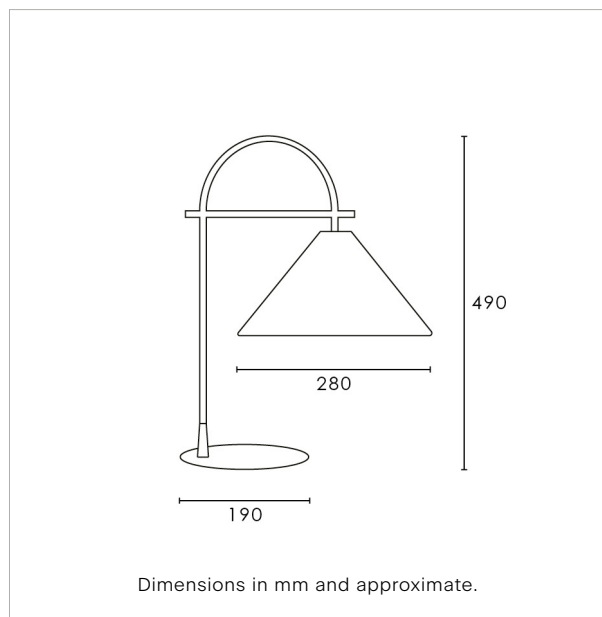
CLEANING INSTRUCTIONS

The finishes on this luminaire only require regular cleaning with a soft dry duster. Abrasive or chemical cleaners may harm the finish and should not be used.

FIXING NOTE

It is the buyer's responsibility to ensure that suitable fixings are used.

*Please refer to our Terms & Conditions for further information.



H&
CO

LIGHT BEYOND DESIGN

www.heathfield.co.uk | +44 (0) 1732 350450 | sales@heathfield.co.uk
Unit 1, Priory Road, Tonbridge, Kent, TN9 2AF, United Kingdom. This specification is subject to our standard Terms & Conditions, a copy of which can be found at heathfield.co.uk. © 2026 Heathfield & Co. All rights reserved.

Heathfield&Co

Product Specification Sheet

TABLE LAMP | ARLO BLACKENED BRONZE



PRODUCT INFORMATION

Base Code: TL-ARLO-BRNZ
Material: Metal
Metalwork: Blackened Bronze
Lampshade: 11" Arlo Shade / SH-11-ARLO
Flex: UK & EU 1.5 metres of Black braided flex /
US Black braided flex

TECHNICAL INFORMATION

Weight: 1.6kg / 3.5lbs
Plug: Black 13amp UK plug /
Black Schuko EU plug / Black US polarised plug
Switching: Black inline switch
Lamping: 1x E27 Pluto LED Bulb. 3W 2700K 240LM.
Supplied with our recommended Tala bulb (when selected).

BASE HEIGHT: 490 mm / 19¹/₄"

TOTAL HEIGHT: 490 mm / 19¹/₄"

BASE WIDTH: 190 mm / 7¹/₂"

SHADE WIDTH: 280 mm / 11"

UKCA / CE / UL COMPLIANT

WARRANTY

10 years*

FINISHING NOTE

All metalwork is handcrafted and may vary from piece to piece with slight variation in finish and detailing.

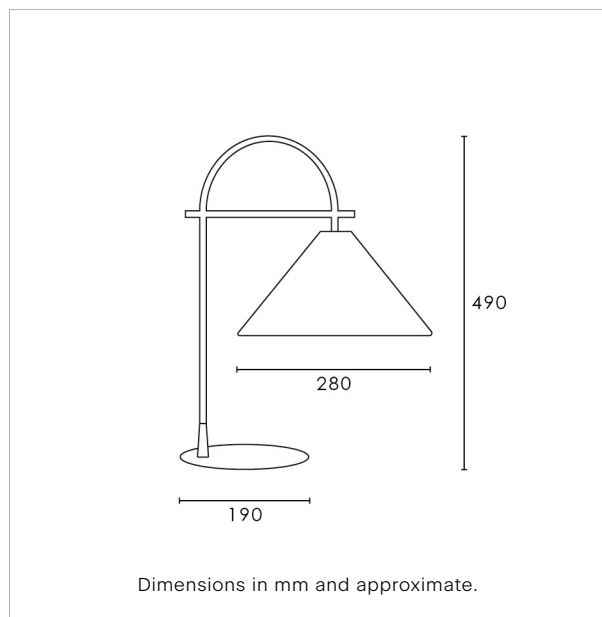
CLEANING INSTRUCTIONS

The finishes on this luminaire only require regular cleaning with a soft dry duster. Abrasive or chemical cleaners may harm the finish and should not be used.

FIXING NOTE

It is the buyer's responsibility to ensure that suitable fixings are used.

*Please refer to our Terms & Conditions for further information.



H&
CO

LIGHT BEYOND DESIGN

www.heathfield.co.uk | +44 (0) 1732 350450 | sales@heathfield.co.uk
Unit 1, Priory Road, Tonbridge, Kent, TN9 2AF, United Kingdom. This specification is subject to our standard Terms & Conditions, a copy of which can be found at heathfield.co.uk. © 2026 Heathfield & Co. All rights reserved.