

# Heathfield&Co

## Product Specification Sheet

TABLE LAMP | ANAIS



### PRODUCT INFORMATION

Base Code: TL-ANAI-SBRS-CRMA

Material: Marble

Finish shown: Crema

Metalwork: Satin Brass

Lampshade: 14" Oval Drum / SH-14-OVAL

Flex: UK & EU 1.5 metres of Oatmeal braided flex /

US Oatmeal braided flex

### TECHNICAL INFORMATION

Weight: 13kg / 28.7lbs

Plug: White 13amp UK plug /

White Schuko EU plug / White US polarised plug

Switching: White inline switch

Lamping: 1x E27 lampholder / 1x E26 US lampholder

40W max. LED lamps recommended.

Lamps not included

BASE HEIGHT: 130 mm / 5"

TOTAL HEIGHT: 360 mm / 14"

BASE WIDTH: 160 mm / 6.3"

SHADE WIDTH: 360 mm / 14"

UKCA / CE / UL COMPLIANT

### WARRANTY

10 years\*

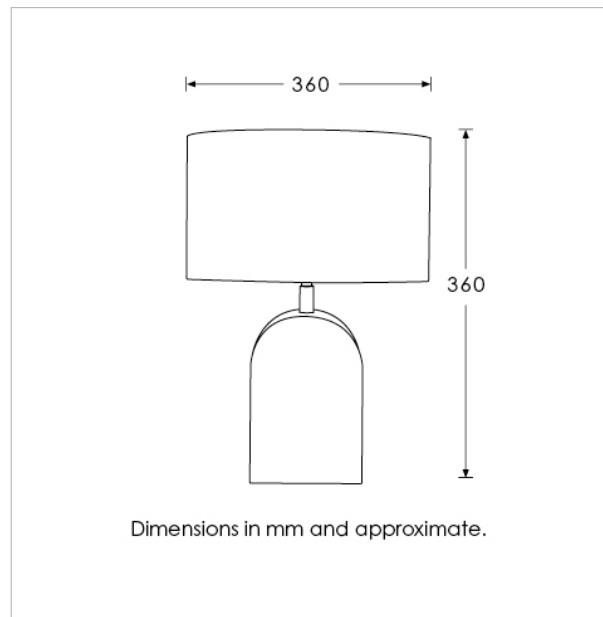
### FINISHING NOTE

Marble is a natural material with distinctly unique formations, markings and colouration. It is part of its charm that no two lamps are exactly the same. All metalwork is handcrafted and may vary from piece to piece with slight variations in finish and detailing.

### CLEANING INSTRUCTIONS

The finishes on this luminaire only require regular cleaning with a soft dry duster. Abrasive or chemical cleaners may harm the finish and should not be used. Shade to be dusted with a clean dry cloth.

\*Please refer to our Terms & Conditions for further information.



H&CO

LIGHT BEYOND DESIGN