

# Heathfield&Co

## Product Specification Sheet

TABLE LAMP | ALFA



### PRODUCT INFORMATION

Base Code: TL-ALFA-BLST  
Material: Metal  
Finish shown: Black Satin  
Lampshade: 9" Acone / SH-09-ACON  
Flex: UK & EU 1.5 metres of Black twisted flex /  
US Black braided flex

### TECHNICAL INFORMATION

Weight: 2.4kg / 5.2lbs  
Plug: Black 13amp UK plug /  
Black Schuko EU plug / Black US polarised plug  
Switching: Black inline switch  
Lamping: 1x E27 lampholder / 1x E26 US lampholder  
60W max. LED lamps recommended.  
Lamps not included

BASE HEIGHT: 660 mm / 26"  
TOTAL HEIGHT: 660 mm / 26"  
BASE WIDTH: 180 mm / 7"  
SHADE WIDTH: 225 mm / 9"

UKCA / CE / UL COMPLIANT

### WARRANTY

10 years\*

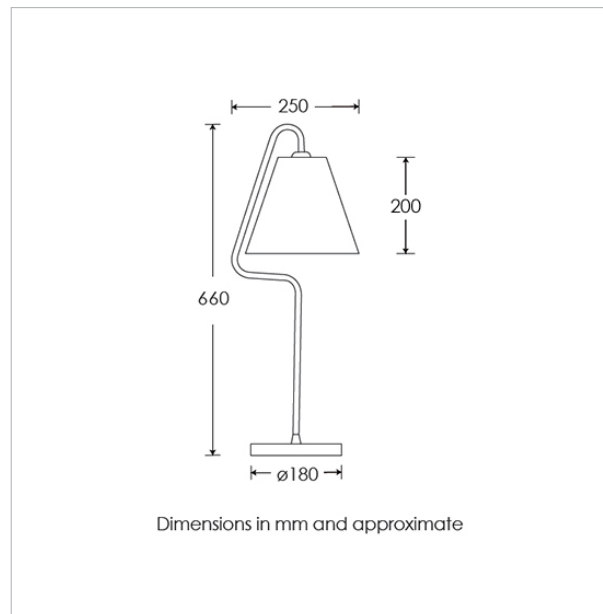
### FINISHING NOTE

All metalwork is handcrafted and may vary from piece to piece with slight variation in finish and detailing.

### CLEANING INSTRUCTIONS

The finishes on this luminaire only require regular cleaning with a soft dry duster. Abrasive or chemical cleaners may harm the finish and should not be used. Shade to be dusted with a clean dry cloth.

\*Please refer to our Terms & Conditions for further information.



H&CO

LIGHT BEYOND DESIGN