

Heathfield&Co

Product Specification Sheet

FLOOR LAMP | PARKER



PRODUCT INFORMATION

Base Code: FL-PARK-BBRZ-0000-000

Material: Metal

Metalwork: Blackened Bronze

Lampshade: 18" Parker Shade / SH-18-PRKR

Flex: UK & EU 1.5 metres of Black braided flex /

US Black braided flex

TECHNICAL INFORMATION

Weight: 9.6kg / 21.2lbs

Plug: Black 13amp UK plug /

Black Schuko EU plug / Black US polarised plug

Switching: Black foot switch

Lamping: 1x E27 Globe LED Bulb. 6W 2700K 600LM.

Supplied with our recommended Tala bulb (when selected).

BASE HEIGHT: 1270 mm / 50"

TOTAL HEIGHT: 1500 mm / 59"

BASE WIDTH: 300 mm / 12"

SHADE WIDTH: 455 mm / 18"

UKCA / CE / UL COMPLIANT

WARRANTY

10 years*

FINISHING NOTE

All metalwork is handcrafted and may vary from piece to piece with slight variation in finish and detailing.

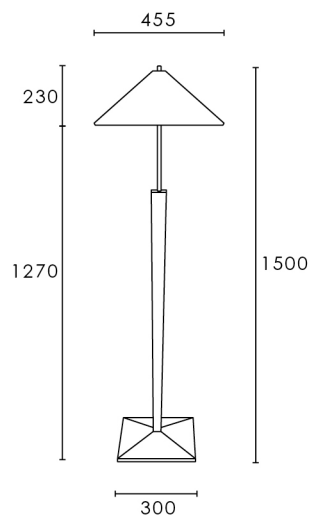
CLEANING INSTRUCTIONS

The finishes on this luminaire only require regular cleaning with a soft dry duster. Abrasive or chemical cleaners may harm the finish and should not be used.

FIXING NOTE

It is the buyer's responsibility to ensure that suitable fixings are used.

*Please refer to our Terms & Conditions for further information.



Dimensions in mm and approximate.

H&
CO

LIGHT BEYOND DESIGN

www.heathfield.co.uk | +44 (0) 1732 350450 | sales@heathfield.co.uk

Unit 1, Priory Road, Tonbridge, Kent, TN9 2AF, United Kingdom. This specification is subject to our standard Terms & Conditions, a copy of which can be found at heathfield.co.uk. © 2026 Heathfield & Co. All rights reserved.