

Heathfield&Co

Product Specification Sheet

FLOOR LAMP | ORLA SATIN BRASS



PRODUCT INFORMATION

Base Code: FL-ORLA-SBRS-SPEC

Material: Metal & Glass

Finish shown: Speckle

Metalwork: Satin Brass

Flex: UK & EU 1.5 metres of Black braided flex /

US Black braided flex

TECHNICAL INFORMATION

Weight: 6.5kg / 14.3lbs

Plug: Black 13amp UK plug /

Black Schuko EU plug / Black US polarised plug

Switching: Black foot switch

Lamping: 3x G9 Capsule LED Bulb. 2.2W 2700K 200LM.

Supplied with our recommended Crompton bulb (when selected).

BASE HEIGHT: 1600 mm / 63"

TOTAL HEIGHT: 1600 mm / 63"

BASE WIDTH: 260 mm / 10¹/₄"

UKCA / CE / WIRED USING US COMPONENTS

WARRANTY

10 years*

FINISHING NOTE

Our carefully selected glass and metalwork components are all hand finished by skilled artisans and as such no two products are exactly the same - something that adds to the unique charm of this product.

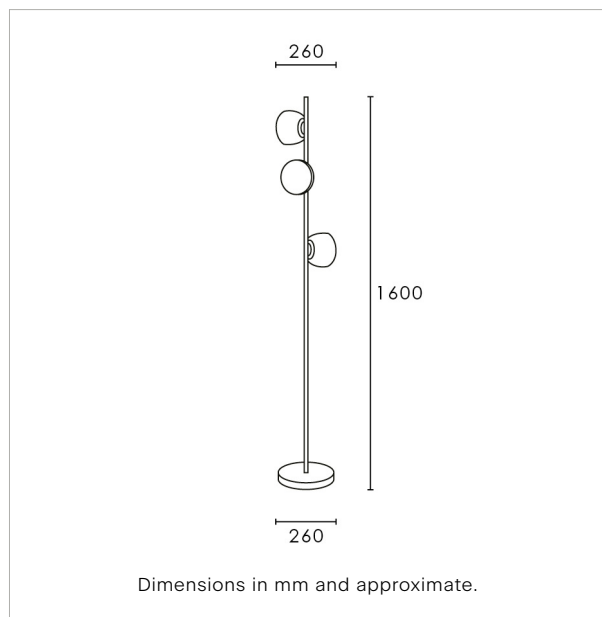
CLEANING INSTRUCTIONS

The finishes on this luminaire only require regular cleaning with a soft dry duster. Abrasive or chemical cleaners may harm the finish and should not be used.

FIXING NOTE

It is the buyer's responsibility to ensure that suitable fixings are used.

*Please refer to our Terms & Conditions for further information.



H&
CO

LIGHT BEYOND DESIGN

www.heathfield.co.uk | +44 (0) 1732 350450 | sales@heathfield.co.uk
Unit 1, Priory Road, Tonbridge, Kent, TN9 2AF, United Kingdom. This specification is subject to our standard Terms & Conditions, a copy of which can be found at heathfield.co.uk. © 2026 Heathfield & Co. All rights reserved.

Heathfield&Co

Product Specification Sheet

FLOOR LAMP | ORLA BLACKENED BRONZE



PRODUCT INFORMATION

Base Code: FL-ORLA-BRNZ-SPEC

Material: Metal & Glass

Finish shown: Speckle

Metalwork: Blackened Bronze

Flex: UK & EU 1.5 metres of Black braided flex /

US Black braided flex

TECHNICAL INFORMATION

Weight: 6.5kg / 14.3lbs

Plug: Black 13amp UK plug /

Black Schuko EU plug / Black US polarised plug

Switching: Black foot switch

Lamping: 3x G9 Capsule LED Bulb. 2.2W 2700K 200LM.

Supplied with our recommended Crompton bulb (when selected).

BASE HEIGHT: 1600 mm / 63"

TOTAL HEIGHT: 1600 mm / 63"

BASE WIDTH: 260 mm / 10^{1/4}"

UKCA / CE / WIRED USING US COMPONENTS

WARRANTY

10 years*

FINISHING NOTE

Our carefully selected glass and metalwork components are all hand finished by skilled artisans and as such no two products are exactly the same - something that adds to the unique charm of this product.

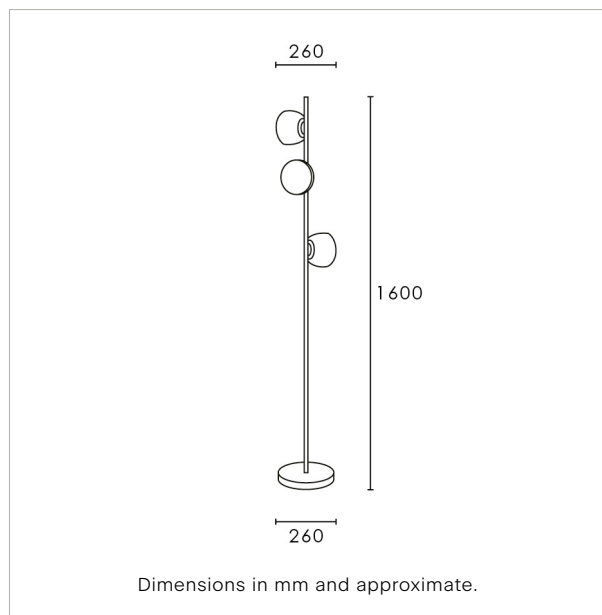
CLEANING INSTRUCTIONS

The finishes on this luminaire only require regular cleaning with a soft dry duster. Abrasive or chemical cleaners may harm the finish and should not be used.

FIXING NOTE

It is the buyer's responsibility to ensure that suitable fixings are used.

*Please refer to our Terms & Conditions for further information.



Dimensions in mm and approximate.

H&
CO

LIGHT BEYOND DESIGN

www.heathfield.co.uk | +44 (0) 1732 350450 | sales@heathfield.co.uk
Unit 1, Priory Road, Tonbridge, Kent, TN9 2AF, United Kingdom. This specification is subject to our standard Terms & Conditions, a copy of which can be found at heathfield.co.uk. © 2026 Heathfield & Co. All rights reserved.