

Heathfield&Co

Product Specification Sheet

FLOOR LAMP | OATIS



PRODUCT INFORMATION

Base Code: FL-OATI-OATM
Material: Metal
Finish shown: Oatmeal
Lampshade: 16" Retro Drum / SH-16-REDR
Flex: UK & EU 1.5 metres of Black PVC flex /
US Black PVC flex

TECHNICAL INFORMATION

Weight: 2.7kg / 6lbs
Plug: Black 13amp UK plug /
Black Schuko EU plug / Black US polarised plug
Switching: Black foot switch
Lamping: 1x E27 lampholder / 1x E26 US lampholder
80W max. LED lamps recommended.
Lamps not included

BASE HEIGHT: 1600 mm / 63"
TOTAL HEIGHT: 1600 mm / 63"
BASE WIDTH: 310 mm / 12¹/₄"
SHADE WIDTH: 405 mm / 16"

UKCA / CE / UL COMPLIANT

WARRANTY

10 years*

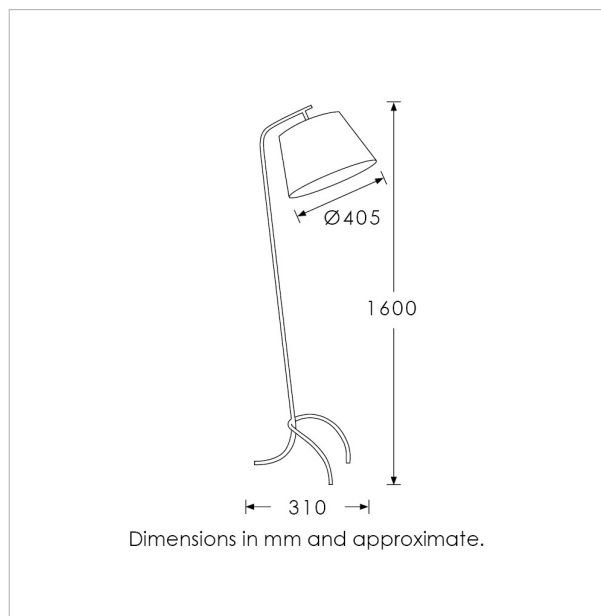
FINISHING NOTE

All metalwork is handcrafted and may vary from piece to piece with slight variation in finish and detailing.

CLEANING INSTRUCTIONS

The finishes on this luminaire only require regular cleaning with a soft dry duster. Abrasive or chemical cleaners may harm the finish and should not be used. Shade to be dusted with a clean dry cloth.

*Please refer to our Terms & Conditions for further information.



H&
CO

LIGHT BEYOND DESIGN