

Heathfield&Co

Product Specification Sheet

FLOOR LAMP | NOOR



PRODUCT INFORMATION

Base Code: FL-NOOR-BLKI
Material: Metal
Finish shown: Black
Metalwork: Black Iron
Lampshade: 16" Noor Drum / SH-16-NOOR
Flex: UK & EU 1.5 metres of Black braided flex /
US Black braided flex

TECHNICAL INFORMATION

Weight: 3.3kg / 7.3lbs
Plug: Black 13amp UK plug /
Black Schuko EU plug / Black US polarised plug
Switching: Black foot switch
Lamping: 1x E27 lampholder / 1x E26 US lampholder
60W max. LED lamps recommended.
Lamps not included

BASE HEIGHT: 1195 mm / 47"
TOTAL HEIGHT: 1720 mm / 67.7"
BASE WIDTH: 400 mm / 15.7"
SHADE WIDTH: 400 mm / 15.7"

UKCA / CE / UL COMPLIANT

WARRANTY

10 years*

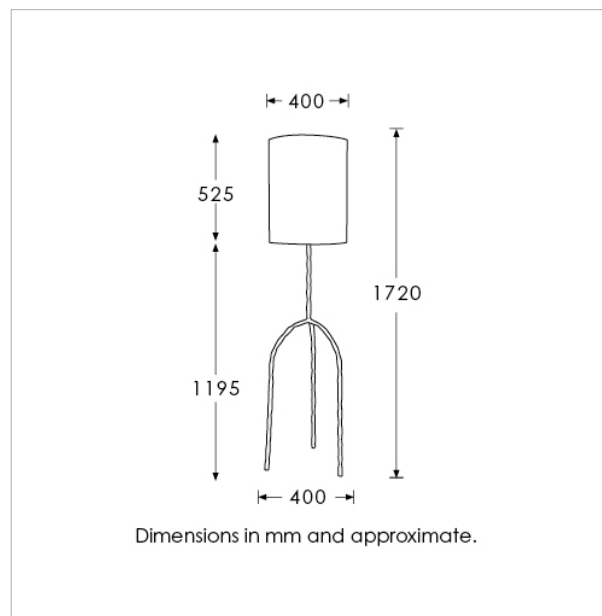
FINISHING NOTE

All metalwork is handcrafted and may vary from piece to piece with slight variation in finish and detailing.

CLEANING INSTRUCTIONS

The finishes on this luminaire only require regular cleaning with a soft dry duster. Abrasive or chemical cleaners may harm the finish and should not be used. Shade to be dusted with a clean dry cloth.

*Please refer to our Terms & Conditions for further information.



H&
CO

LIGHT BEYOND DESIGN