

Heathfield&Co

Product Specification Sheet

FLOOR LAMP | MARNIE MERLOT



PRODUCT INFORMATION

Base Code: FL-MARN-SBRS-MERL

Material: Metal & Glass

Finish shown: Merlot

Metalwork: Satin Brass

Flex: UK & EU 1.5 metres of Black braided flex /

US Black braided flex

TECHNICAL INFORMATION

Weight: 5.5kg / 12.13lbs

Plug: Black 13amp UK plug /

Black Schuko EU plug / Black US polarised plug

Switching: Black foot switch

Lamping: 2x G9 lampholder / 2x G9 US lampholder

25W max. LED lamps recommended.

Lamps not included

TOTAL HEIGHT: 1460 mm / 57¹/₂"

BASE WIDTH: 250 mm / 9.8"

UKCA / CE / WIRED USING US COMPONENTS

WARRANTY

10 years*

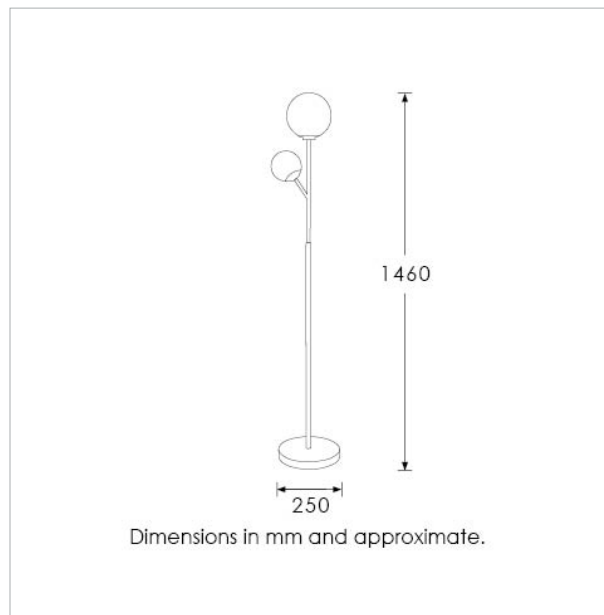
FINISHING NOTE

Our carefully selected glass and metalwork components are all hand finished by skilled artisans and as such no two products are exactly the same - something that adds to the unique charm of this product.

CLEANING INSTRUCTIONS

The finishes on this luminaire only require regular cleaning with a soft dry duster. Abrasive or chemical cleaners may harm the finish and should not be used.

*Please refer to our Terms & Conditions for further information.



H&
CO

LIGHT BEYOND DESIGN

Heathfield&Co

Product Specification Sheet

FLOOR LAMP | MARNIE CHAMPAGNE



PRODUCT INFORMATION

Base Code: FL-MARN-SBRS-CHAM

Material: Metal & Glass

Finish shown: Champagne

Metalwork: Satin Brass

Flex: UK & EU 1.5 metres of Black braided flex /
US Black braided flex

TECHNICAL INFORMATION

Weight: 5.5kg / 12.13lbs

Plug: Black 13amp UK plug /

Black Schuko EU plug / Black US polarised plug

Switching: Black foot switch

Lamping: 2x G9 lampholder / 2x G9 US lampholder
25W max. LED lamps recommended.

Lamps not included

TOTAL HEIGHT: 1460 mm / 57¹/₂"

BASE WIDTH: 250 mm / 9.8"

UKCA / CE / WIRED USING US COMPONENTS

WARRANTY

10 years*

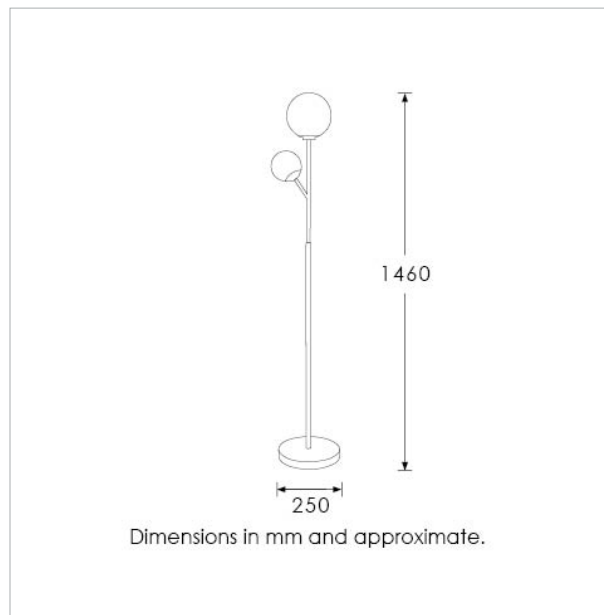
FINISHING NOTE

Our carefully selected glass and metalwork components are all hand finished by skilled artisans and as such no two products are exactly the same - something that adds to the unique charm of this product.

CLEANING INSTRUCTIONS

The finishes on this luminaire only require regular cleaning with a soft dry duster. Abrasive or chemical cleaners may harm the finish and should not be used.

*Please refer to our Terms & Conditions for further information.



H&
CO

LIGHT BEYOND DESIGN

Heathfield&Co

Product Specification Sheet

FLOOR LAMP | MARNIE OLIVE



PRODUCT INFORMATION

Base Code: FL-MARN-SBRS-OLIV

Material: Metal & Glass

Finish shown: Olive

Metalwork: Satin Brass

Flex: UK & EU 1.5 metres of Black braided flex /
US Black braided flex

TECHNICAL INFORMATION

Weight: 5.5kg / 12.13lbs

Plug: Black 13amp UK plug /

Black Schuko EU plug / Black US polarised plug

Switching: Black foot switch

Lamping: 2x G9 lampholder / 2x G9 US lampholder
25W max. LED lamps recommended.

Lamps not included

TOTAL HEIGHT: 1460 mm / 57¹/₂"

BASE WIDTH: 250 mm / 9.8"

UKCA / CE / WIRED USING US COMPONENTS

WARRANTY

10 years*

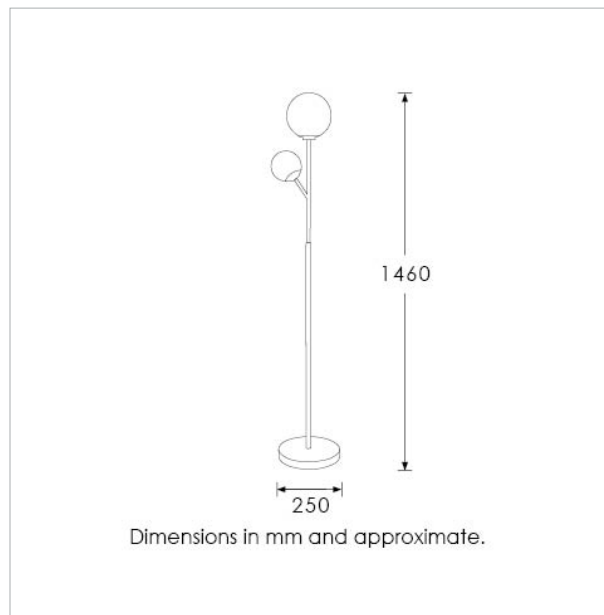
FINISHING NOTE

Our carefully selected glass and metalwork components are all hand finished by skilled artisans and as such no two products are exactly the same - something that adds to the unique charm of this product.

CLEANING INSTRUCTIONS

The finishes on this luminaire only require regular cleaning with a soft dry duster. Abrasive or chemical cleaners may harm the finish and should not be used.

*Please refer to our Terms & Conditions for further information.



Dimensions in mm and approximate.

H&
CO

LIGHT BEYOND DESIGN