

Heathfield&Co

Product Specification Sheet

FLOOR LAMP | BERTIE



PRODUCT INFORMATION

Base Code: FL-BERT-SBRS-CRAC

Material: Metal & Ceramic

Finish shown: Crackle

Metalwork: Satin Brass

Flex: UK & EU 1.5 metres of Oatmeal braided flex /

US Oatmeal braided flex

TECHNICAL INFORMATION

Weight: 9.3kg / 20lbs

Plug: White 13amp UK plug /

White Schuko EU plug / White US polarised plug

Switching: White inline switch

Lamping: 1x E27 lampholder / 1x E26 US lampholder

60W max. LED lamps recommended.

Lamps not included

BASE HEIGHT: 1845 mm / 72¹/₂"

TOTAL HEIGHT: 1845 mm / 72¹/₂"

BASE WIDTH: 450 mm / 17³/₄"

SHADE WIDTH: 285 mm / 11¹/₄"

UKCA / CE / UL COMPLIANT

WARRANTY

10 years*

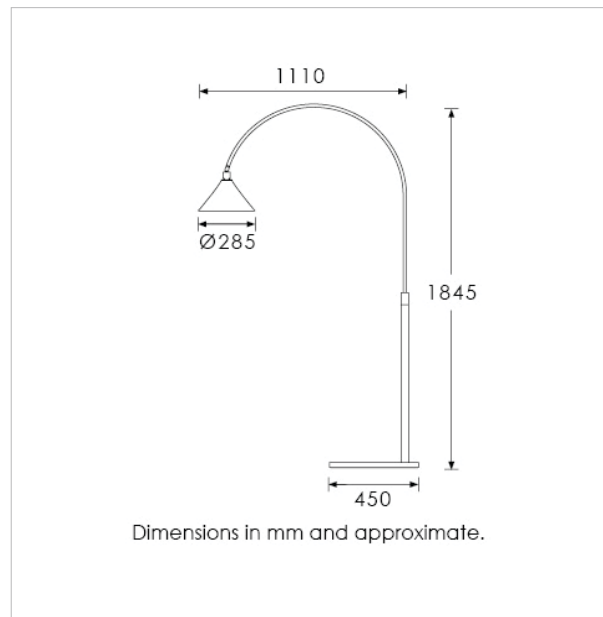
FINISHING NOTE

The ceramic glazes that we have used on this lamp will create differences from piece to piece - variations in colour, formation and detailing. As such, it is part of the charm that no two products are exactly the same.

CLEANING INSTRUCTIONS

The finishes on this luminaire only require regular cleaning with a soft dry duster. Abrasive or chemical cleaners may harm the finish and should not be used. Shade to be dusted with a clean dry cloth.

*Please refer to our Terms & Conditions for further information.



H&
CO

LIGHT BEYOND DESIGN