

# Heathfield&Co

## Product Specification Sheet

FLOOR LAMP | ABEL



### PRODUCT INFORMATION

Base Code: FL-ABEL-ABRS-SMOA

Material: Wood

Finish shown: Smoked Oak

Metalwork: Antique Brass

Lampshade: 18" Abel Drum / SH-18-ABEL

Flex: UK & EU 1.5 metres of Oatmeal braided flex /  
US Oatmeal braided flex

### TECHNICAL INFORMATION

Weight: 10.6kg / 23.4lbs

Plug: White 13amp UK plug /

White Schuko EU plug / White US polarised plug

Switching: White foot switch

Lamping: 1x E27 lampholder / 1x E26 US lampholder  
40W max. LED lamps recommended.

Lamps not included

BASE HEIGHT: 1550 mm / 61"

BASE WIDTH: 360 mm / 14"

SHADE WIDTH: 410 mm / 16"

UKCA / CE / UL COMPLIANT

### WARRANTY

10 years\*

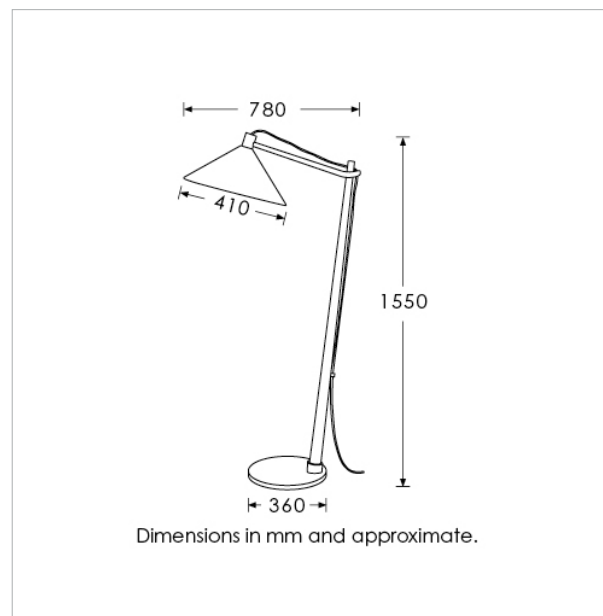
### FINISHING NOTE

Wood, as a natural material, presents distinctly unique grain, patterning and colouration. We use hand applied finishes and leafing and as such, it is part of the charm that no two products are exactly the same.

### CLEANING INSTRUCTIONS

The finishes on this luminaire only require regular cleaning with a soft dry duster. Abrasive or chemical cleaners may harm the finish and should not be used. Shade to be dusted with a clean dry cloth.

\*Please refer to our Terms & Conditions for further information.



H&  
CO

LIGHT BEYOND DESIGN