

# Heathfield&Co

## Product Specification Sheet

CEILING LIGHT | SURI 3 LIGHT CLUSTER SATIN BRASS



### PRODUCT INFORMATION

Base Code: PD-SURI-SBRS-WHTE-V03

Material: Brass, Ceramic & Wood

Finish shown: White Ceramic & Smoked Oak

Metalwork: Satin Brass

### TECHNICAL INFORMATION

Weight: 3kg / 6.6lbs

Lamping: 3x E27 Lampholder / 3x E26 US lampholder  
60W max. LED Lamps Recommended.

Lamps not included

TOTAL HEIGHT: 2310mm / 91"

TOTAL WIDTH: 250mm / 10"

CEILING ROSE HEIGHT: 35mm / 1 1/2"

CEILING ROSE WIDTH: 250mm / 10"

UKCA / CE / WIRED USING US COMPONENTS

### WARRANTY

10 years\*

### FINISHING NOTE

The ceramic glazes that we have used on this lamp will create differences from piece to piece - variations in colour, formation and detailing. As such, it is part of the charm that no two products are exactly the same.

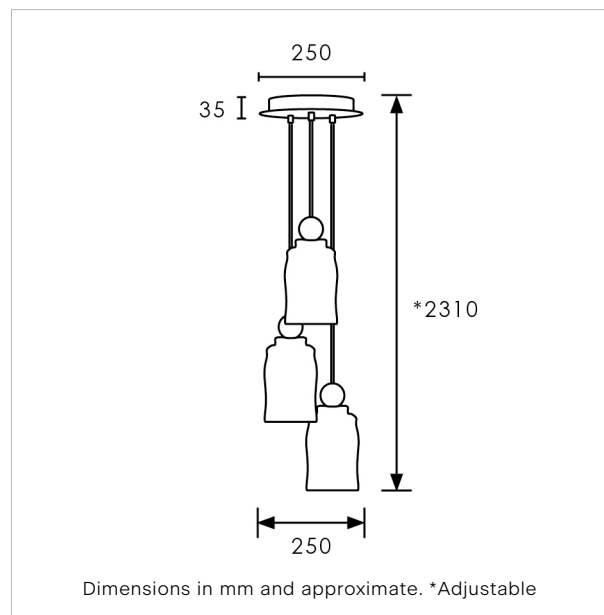
### CLEANING INSTRUCTIONS

The finishes on this luminaire only require regular cleaning with a soft dry duster. Abrasive or chemical cleaners may harm the finish and should not be used.

### FIXING NOTE

It is the buyer's responsibility to ensure that suitable fixings are used.

\*Please refer to our Terms & Conditions for further information.



**H&  
CO**

LIGHT BEYOND DESIGN

www.heathfield.co.uk | +44 (0) 1732 350450 | sales@heathfield.co.uk  
Unit 1, Priory Road, Tonbridge, Kent, TN9 2AF, United Kingdom. This specification is subject to our standard Terms & Conditions, a copy of which can be found at heathfield.co.uk. © 2025 Heathfield & Co. All rights reserved.

# Heathfield&Co

## Product Specification Sheet

CEILING LIGHT | RAE 3 LIGHT CLUSTER SATIN BRASS



### PRODUCT INFORMATION

Base Code: PD-RAEO-SBRS-ALAB-V03

Material: Brass & Alabaster

Finish shown: White

Metalwork: Satin Brass

### TECHNICAL INFORMATION

Weight: 9.6kg / 21.2lbs

Lamping: 3x E27 Lampholder / 3x E26 US lampholder  
60W max. LED Lamps Recommended.

Lamps not included

TOTAL HEIGHT: 2415mm / 95"

TOTAL WIDTH: 250mm / 10"

CEILING ROSE HEIGHT: 35mm / 1<sup>1</sup>/<sub>2</sub>"

CEILING ROSE WIDTH: 250mm / 10"

UKCA / CE / WIRED USING US COMPONENTS

### WARRANTY

10 years\*

### FINISHING NOTE

Alabaster is a natural material with distinctly unique formations, markings and colouration. It is part of its charm that no two lamps are exactly the same.

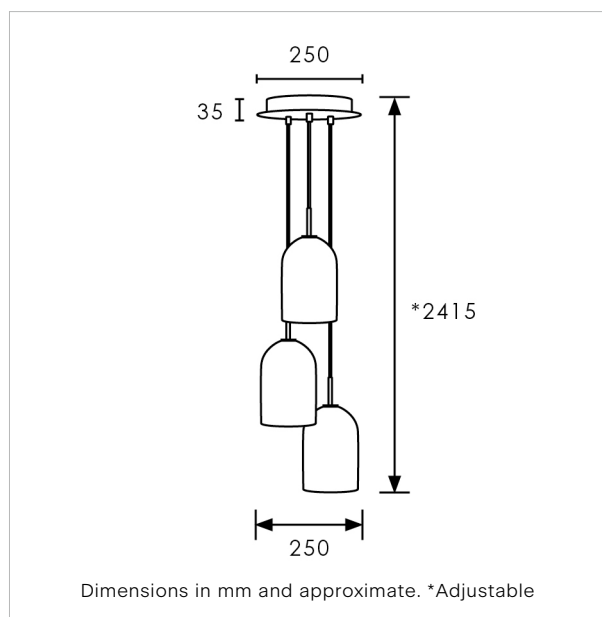
### CLEANING INSTRUCTIONS

The finishes on this luminaire only require regular cleaning with a soft dry duster. Abrasive or chemical cleaners may harm the finish and should not be used.

### FIXING NOTE

It is the buyer's responsibility to ensure that suitable fixings are used.

\*Please refer to our Terms & Conditions for further information.



**H&  
CO**

LIGHT BEYOND DESIGN

www.heathfield.co.uk | +44 (0) 1732 350450 | sales@heathfield.co.uk  
Unit 1, Priory Road, Tonbridge, Kent, TN9 2AF, United Kingdom. This specification is subject to our standard Terms & Conditions, a copy of which can be found at heathfield.co.uk. © 2025 Heathfield & Co. All rights reserved.

# Heathfield&Co

## Product Specification Sheet

CEILING LIGHT | INDI 3 LIGHT CLUSTER SATIN BRASS



### PRODUCT INFORMATION

Base Code: PD-INDI-SBRS-ANTI-V03

Material: Brass & Glass

Finish shown: Clear

Metalwork: Satin Brass

### TECHNICAL INFORMATION

Weight: 3kg / 6.6lbs

Switching & Plug: Hardwired

Lamping: 3x G9 Lampholder / 3x G9 US lampholder

25W max. LED Lamps Recommended.

Lamps not included

TOTAL HEIGHT: 2385mm / 94"

TOTAL WIDTH: 250mm / 10"

CEILING ROSE HEIGHT: 35mm / 1 1/2"

CEILING ROSE WIDTH: 250mm / 10"

UKCA / CE / WIRED USING US COMPONENTS

### WARRANTY

10 years\*

### FINISHING NOTE

Our carefully selected glass and metalwork components are all hand finished by skilled artisans and as such no two products are exactly the same - something that adds to the unique charm of this product.

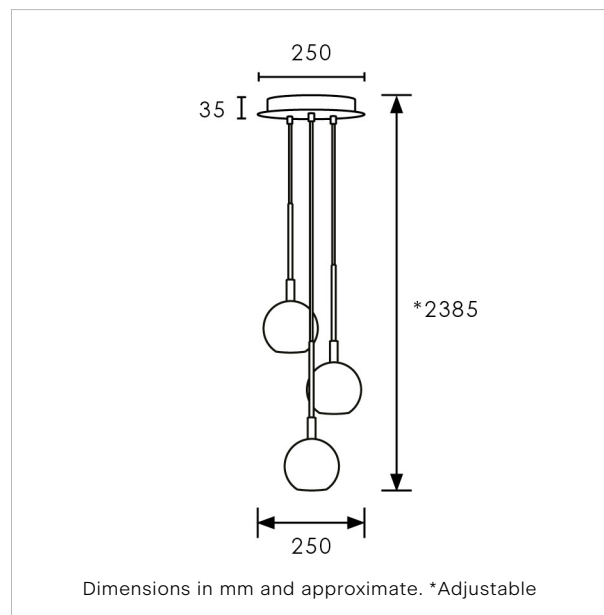
### CLEANING INSTRUCTIONS

The finishes on this luminaire only require regular cleaning with a soft dry duster. Abrasive or chemical cleaners may harm the finish and should not be used.

### FIXING NOTE

It is the buyer's responsibility to ensure that suitable fixings are used.

\*Please refer to our Terms & Conditions for further information.



**H&  
CO**

LIGHT BEYOND DESIGN

www.heathfield.co.uk | +44 (0) 1732 350450 | sales@heathfield.co.uk  
Unit 1, Priory Road, Tonbridge, Kent, TN9 2AF, United Kingdom. This specification is subject to our standard Terms & Conditions, a copy of which can be found at heathfield.co.uk. © 2025 Heathfield & Co. All rights reserved.

# Heathfield&Co

## Product Specification Sheet

CEILING LIGHT | KOA 3 LIGHT CLUSTER BLACKENED BRONZE



### PRODUCT INFORMATION

Base Code: PD-KOA0-BRNZ-SMOK-V03

Material: Bronze & Glass

Finish shown: Smoke

Metalwork: Blackened Bronze

### TECHNICAL INFORMATION

Weight: 5.1kg / 11.2lbs

Switching & Plug: Hardwired

Lamping: 3x G9 Lampholder / 3x G9 US lampholder

25W max. LED Lamps Recommended.

Lamps not included

TOTAL HEIGHT: 2160mm / 85"

TOTAL WIDTH: 250mm / 10"

CEILING ROSE HEIGHT: 35mm / 1 1/2"

CEILING ROSE WIDTH: 250mm / 10"

UKCA / CE / WIRED USING US COMPONENTS

### WARRANTY

10 years\*

### FINISHING NOTE

Our carefully selected glass and metalwork components are all hand finished by skilled artisans and as such no two products are exactly the same - something that adds to the unique charm of this product.

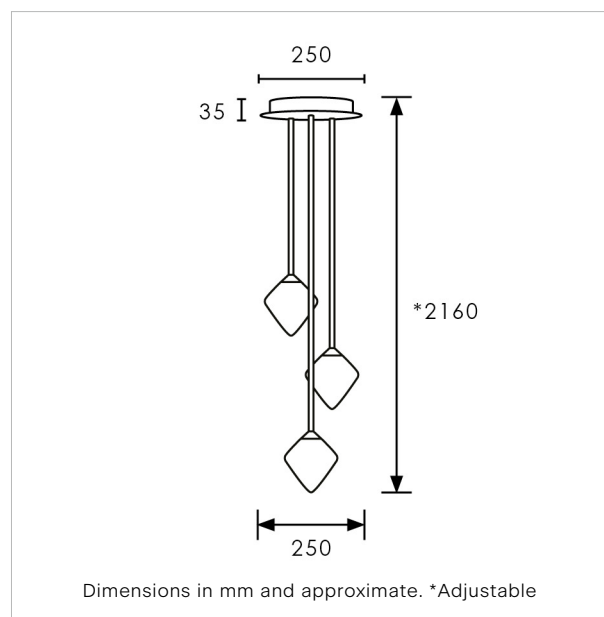
### CLEANING INSTRUCTIONS

The finishes on this luminaire only require regular cleaning with a soft dry duster. Abrasive or chemical cleaners may harm the finish and should not be used.

### FIXING NOTE

It is the buyer's responsibility to ensure that suitable fixings are used.

\*Please refer to our Terms & Conditions for further information.



**H&  
CO**

LIGHT BEYOND DESIGN

www.heathfield.co.uk | +44 (0) 1732 350450 | sales@heathfield.co.uk  
Unit 1, Priory Road, Tonbridge, Kent, TN9 2AF, United Kingdom. This specification is subject to our standard Terms & Conditions, a copy of which can be found at heathfield.co.uk. © 2025 Heathfield & Co. All rights reserved.

# Heathfield&Co

## Product Specification Sheet

CEILING LIGHT | KOA 3 LIGHT CLUSTER SATIN BRASS



### PRODUCT INFORMATION

Base Code: PD-KOA0-SBRS-CLER-V03

Material: Brass & Glass

Finish shown: Clear

Metalwork: Satin Brass

### TECHNICAL INFORMATION

Weight: 5.1kg / 11.2lbs

Switching & Plug: Hardwired

Lamping: 3x G9 Lampholder / 3x G9 US lampholder

25W max. LED Lamps Recommended.

Lamps not included

TOTAL HEIGHT: 2160mm / 85"

TOTAL WIDTH: 250mm / 10"

CEILING ROSE HEIGHT: 35mm / 1 1/2"

CEILING ROSE WIDTH: 250mm / 10"

UKCA / CE / WIRED USING US COMPONENTS

### WARRANTY

10 years\*

### FINISHING NOTE

Our carefully selected glass and metalwork components are all hand finished by skilled artisans and as such no two products are exactly the same - something that adds to the unique charm of this product.

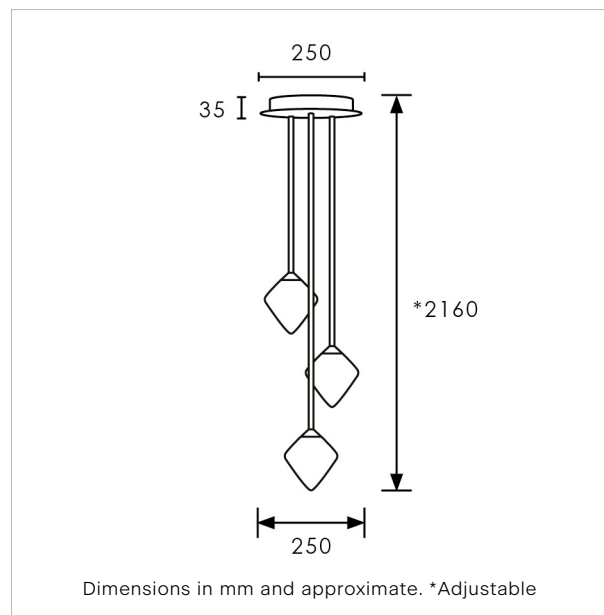
### CLEANING INSTRUCTIONS

The finishes on this luminaire only require regular cleaning with a soft dry duster. Abrasive or chemical cleaners may harm the finish and should not be used.

### FIXING NOTE

It is the buyer's responsibility to ensure that suitable fixings are used.

\*Please refer to our Terms & Conditions for further information.



**H&  
CO**

LIGHT BEYOND DESIGN

www.heathfield.co.uk | +44 (0) 1732 350450 | sales@heathfield.co.uk  
Unit 1, Priory Road, Tonbridge, Kent, TN9 2AF, United Kingdom. This specification is subject to our standard Terms & Conditions, a copy of which can be found at heathfield.co.uk. © 2025 Heathfield & Co. All rights reserved.

# Heathfield&Co

## Product Specification Sheet

CEILING LIGHT | NULA 3 LIGHT CLUSTER BLACKENED BRONZE



### PRODUCT INFORMATION

Base Code: PD-NULA-BBRZ-ALAB-V03

Material: Bronze & Alabaster

Finish shown: White

Metalwork: Blackened Bronze

### TECHNICAL INFORMATION

Weight: 4.5kg / 10lbs

Switching & Plug: Hardwired

Lamping: Integrated LED 2700 Kelvin

5W Mains Dimmable Driver contained within ceiling rose

TOTAL HEIGHT: 2340mm / 92<sup>1</sup>/<sub>4</sub>"

TOTAL WIDTH: 250mm / 10"

CEILING ROSE HEIGHT: 35mm / 1<sup>1</sup>/<sub>2</sub>"

CEILING ROSE WIDTH: 250mm / 10"

UKCA / CE / WIRED USING US COMPONENTS

### WARRANTY

10 years\*

### FINISHING NOTE

Alabaster is a natural material with distinctly unique formations, markings and colouration. It is part of its charm that no two lamps are exactly the same.

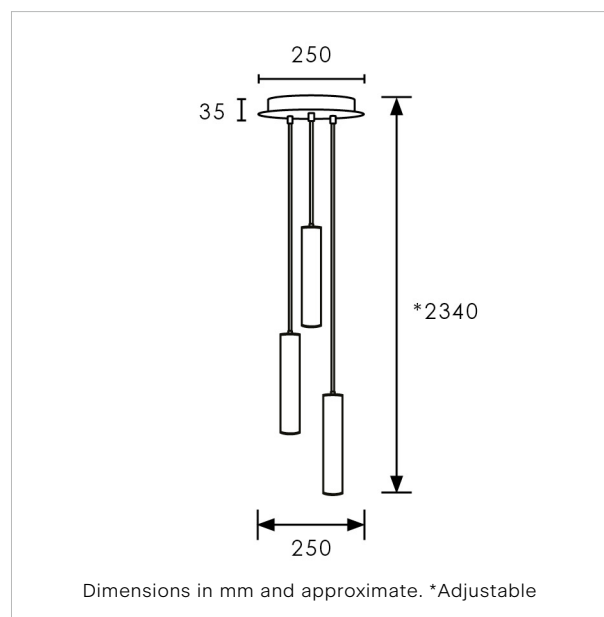
### CLEANING INSTRUCTIONS

The finishes on this luminaire only require regular cleaning with a soft dry duster. Abrasive or chemical cleaners may harm the finish and should not be used.

### FIXING NOTE

It is the buyer's responsibility to ensure that suitable fixings are used.

\*Please refer to our Terms & Conditions for further information.



H&  
CO

LIGHT BEYOND DESIGN

www.heathfield.co.uk | +44 (0) 1732 350450 | sales@heathfield.co.uk  
Unit 1, Priory Road, Tonbridge, Kent, TN9 2AF, United Kingdom. This specification is subject to our standard Terms & Conditions, a copy of which can be found at heathfield.co.uk. © 2025 Heathfield & Co. All rights reserved.

# Heathfield&Co

## Product Specification Sheet

CEILING LIGHT | NULA 3 LIGHT CLUSTER SATIN BRASS



### PRODUCT INFORMATION

Base Code: PD-NULA-SBRS-ALAB-V03

Material: Brass & Alabaster

Finish shown: White

Metalwork: Satin Brass

### TECHNICAL INFORMATION

Weight: 4.5kg / 10lbs

Switching & Plug: Hardwired

Lamping: Integrated LED 2700 Kelvin

5W Mains Dimmable Driver contained within ceiling rose

TOTAL HEIGHT: 2340mm / 92<sup>1</sup>/<sub>4</sub>"

TOTAL WIDTH: 250mm / 10"

CEILING ROSE HEIGHT: 35mm / 1<sup>1</sup>/<sub>2</sub>"

CEILING ROSE WIDTH: 250mm / 10"

UKCA / CE / WIRED USING US COMPONENTS

### WARRANTY

10 years\*

### FINISHING NOTE

Alabaster is a natural material with distinctly unique formations, markings and colouration. It is part of its charm that no two lamps are exactly the same.

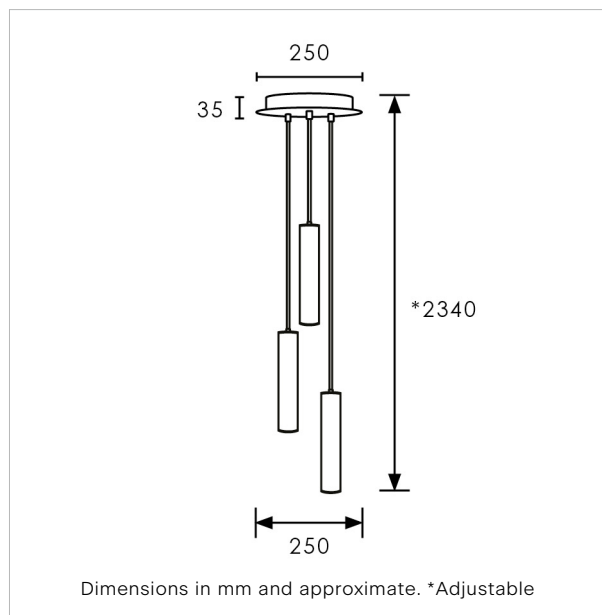
### CLEANING INSTRUCTIONS

The finishes on this luminaire only require regular cleaning with a soft dry duster. Abrasive or chemical cleaners may harm the finish and should not be used.

### FIXING NOTE

It is the buyer's responsibility to ensure that suitable fixings are used.

\*Please refer to our Terms & Conditions for further information.



H&  
CO

LIGHT BEYOND DESIGN

www.heathfield.co.uk | +44 (0) 1732 350450 | sales@heathfield.co.uk  
Unit 1, Priory Road, Tonbridge, Kent, TN9 2AF, United Kingdom. This specification is subject to our standard Terms & Conditions, a copy of which can be found at heathfield.co.uk. © 2025 Heathfield & Co. All rights reserved.

# Heathfield&Co

## Product Specification Sheet

CEILING LIGHT | RHEA 3 LIGHT CLUSTER ANTIQUE BRASS



### PRODUCT INFORMATION

Base Code: PD-RHEA-ABRS-ALAB-PM03

Material: Brass & Alabaster

Finish shown: White

Metalwork: Antique Brass

### TECHNICAL INFORMATION

Weight: 4.2kg / 9.3lbs

Lamping: 3x E14 Lampholder / 3x E12 US lampholder  
60W max. LED Lamps Recommended.

Lamps not included

TOTAL HEIGHT: 2165mm / 85<sup>1</sup>/<sub>4</sub>"

TOTAL WIDTH: 250mm / 10"

CEILING ROSE HEIGHT: 35mm / 1<sup>1</sup>/<sub>2</sub>"

CEILING ROSE WIDTH: 250mm / 10"

UKCA / CE / WIRED USING US COMPONENTS

### WARRANTY

10 years\*

### FINISHING NOTE

Alabaster is a natural material with distinctly unique formations, markings and colouration. It is part of its charm that no two lamps are exactly the same.

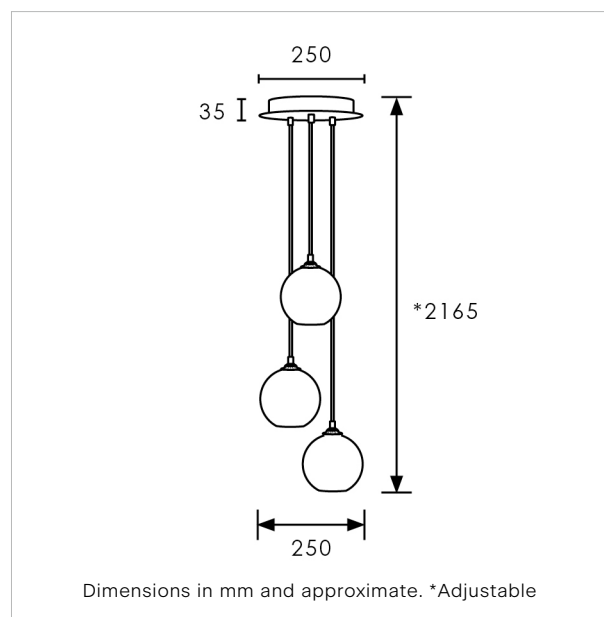
### CLEANING INSTRUCTIONS

The finishes on this luminaire only require regular cleaning with a soft dry duster. Abrasive or chemical cleaners may harm the finish and should not be used.

### FIXING NOTE

It is the buyer's responsibility to ensure that suitable fixings are used.

\*Please refer to our Terms & Conditions for further information.



**H&  
CO**

LIGHT BEYOND DESIGN

www.heathfield.co.uk | +44 (0) 1732 350450 | sales@heathfield.co.uk  
Unit 1, Priory Road, Tonbridge, Kent, TN9 2AF, United Kingdom. This specification is subject to our standard Terms & Conditions, a copy of which can be found at heathfield.co.uk. © 2025 Heathfield & Co. All rights reserved.