

# Heathfield&Co

## Product Specification Sheet

CEILING LIGHT | SLOANE CHANDELIER CLEAR CRACKLE SMALL



### PRODUCT INFORMATION

Base Code: PD-SLOA-SBRS-CLCR-SML

Material: Brass & Glass

Finish shown: Clear Crackle

Metalwork: Satin Brass

### TECHNICAL INFORMATION

Weight: 14.7kg / 32.4lbs

Switching & Plug: Hardwired

Lamping: 7x E14 lampholder / 7x E12 US lampholder

25W max. LED lamps recommended.

Lamps not included

TOTAL HEIGHT: 1370mm / 54"

TOTAL WIDTH: 400mm / 15<sup>3/4</sup>"

UKCA / CE / WIRED USING US COMPONENTS

### WARRANTY

10 years\*

### FINISHING NOTE

Our carefully selected glass and metalwork components are all hand finished by skilled artisans and as such no two products are exactly the same - something that adds to the unique charm of this product.

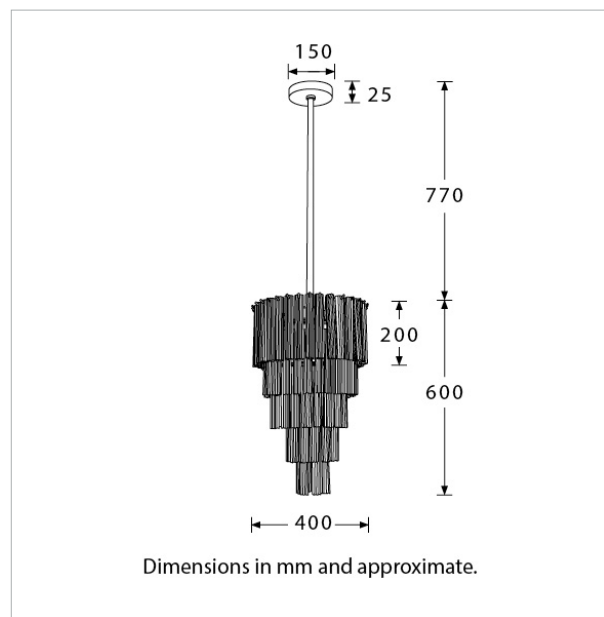
### CLEANING INSTRUCTIONS

The finishes on this luminaire only require regular cleaning with a soft dry duster. Abrasive or chemical cleaners may harm the finish and should not be used.

### FIXING NOTE

It is the buyer's responsibility to ensure that suitable fixings are used.

\*Please refer to our Terms & Conditions for further information.



H&  
CO

LIGHT BEYOND DESIGN

www.heathfield.co.uk | +44 (0) 1732 350450 | sales@heathfield.co.uk  
Unit 1, Priory Road, Tonbridge, Kent, TN9 2AF, United Kingdom. This specification is subject to our standard Terms & Conditions, a copy of which can be found at heathfield.co.uk. © 2023 Heathfield & Co. All rights reserved.

# Heathfield&Co

## Product Specification Sheet

CEILING LIGHT | SLOANE CHANDELIER SMOKE SMALL



### PRODUCT INFORMATION

Base Code: PD-SLOA-SBRS-DBSM-SML

Material: Brass & Glass

Finish shown: Smoke

Metalwork: Satin Brass

### TECHNICAL INFORMATION

Weight: 14.7kg / 32.4lbs

Switching & Plug: Hardwired

Lamping: 7x E14 lampholder / 7x E12 US lampholder

25W max. LED lamps recommended.

Lamps not included

TOTAL HEIGHT: 1370mm / 54"

TOTAL WIDTH: 400mm / 15<sup>3/4</sup>"

UKCA / CE / WIRED USING US COMPONENTS

### WARRANTY

10 years\*

### FINISHING NOTE

Our carefully selected glass and metalwork components are all hand finished by skilled artisans and as such no two products are exactly the same - something that adds to the unique charm of this product.

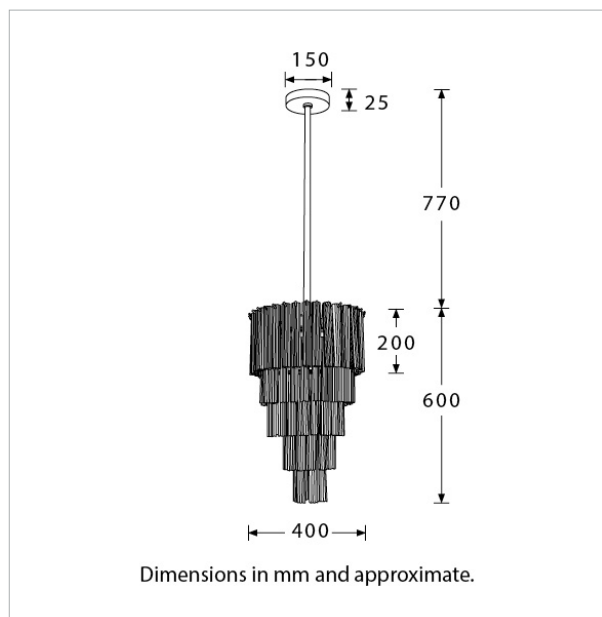
### CLEANING INSTRUCTIONS

The finishes on this luminaire only require regular cleaning with a soft dry duster. Abrasive or chemical cleaners may harm the finish and should not be used.

### FIXING NOTE

It is the buyer's responsibility to ensure that suitable fixings are used.

\*Please refer to our Terms & Conditions for further information.



H&  
CO

LIGHT BEYOND DESIGN

www.heathfield.co.uk | +44 (0) 1732 350450 | sales@heathfield.co.uk  
Unit 1, Priory Road, Tonbridge, Kent, TN9 2AF, United Kingdom. This specification is subject to our standard Terms & Conditions, a copy of which can be found at heathfield.co.uk. © 2023 Heathfield & Co. All rights reserved.