

Heathfield&Co

Product Specification Sheet

CEILING LIGHT | RHEA LARGE



PRODUCT INFORMATION

Base Code: PD-RHEA-ABRS-ALAB-00L

Material: Metal & Alabaster

Finish shown: White

Metalwork: Antique Brass

Flex: UK & EU 1.5 metres of Chocolate twisted flex /
US Black twisted flex

TECHNICAL INFORMATION

Weight: 2kg / 4.4lbs

Switching & Plug: Hardwired

Lamping: 1x E14 Pluto LED Bulb. 3W 2700K 240LM.

Supplied with our recommended Tala bulb (when selected).

TOTAL HEIGHT: *1720 mm / *67^{3/4}"

TOTAL WIDTH: 180 mm / 7"

CEILING ROSE HEIGHT: 20 mm / 1"

CEILING ROSE WIDTH: 105 mm / 4^{1/4}"

UKCA / CE / UL COMPLIANT*

*If you require a specific size of ceiling rose for UL use, please inform our sales team

WARRANTY

10 years*

FINISHING NOTE

Alabaster is a natural material with distinctly unique formations, markings and colouration. It is part of its charm that no two lamps are exactly the same.

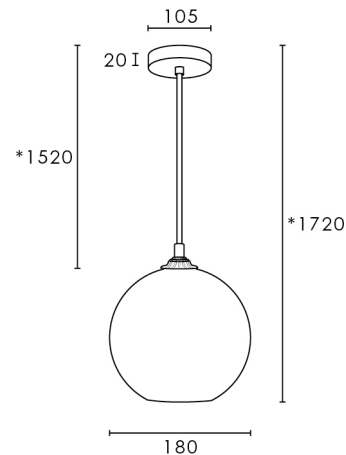
CLEANING INSTRUCTIONS

The finishes on this luminaire only require regular cleaning with a soft dry duster. Abrasive or chemical cleaners may harm the finish and should not be used.

FIXING NOTE

It is the buyer's responsibility to ensure that suitable fixings are used.

*Please refer to our Terms & Conditions for further information.



Dimensions in mm and approximate. *Adjustable

H&
CO

LIGHT BEYOND DESIGN

www.heathfield.co.uk | +44 (0) 1732 350450 | sales@heathfield.co.uk

Unit 1, Priory Road, Tonbridge, Kent, TN9 2AF, United Kingdom. This specification is subject to our standard Terms & Conditions, a copy of which can be found at heathfield.co.uk. © 2025 Heathfield & Co. All rights reserved.

Heathfield&Co

Product Specification Sheet

CEILING LIGHT | RHEA MEDIUM



PRODUCT INFORMATION

Base Code: PD-RHEA-ABRS-ALAB-00M

Material: Metal & Alabaster

Finish shown: White

Metalwork: Antique Brass

Flex: UK & EU 1.5 metres of Chocolate twisted flex /
US Black twisted flex

TECHNICAL INFORMATION

Weight: 1.4kg / 3lbs

Switching & Plug: Hardwired

Lamping: 1x E14 Pluto LED Bulb. 3W 2700K 240LM.

Supplied with our recommended Tala bulb (when selected).

TOTAL HEIGHT: *1680 mm / *66¹/₄"

TOTAL WIDTH: 140 mm / 5¹/₂"

CEILING ROSE HEIGHT: 20 mm / 1"

CEILING ROSE WIDTH: 105 mm / 4¹/₄"

UKCA / CE / UL COMPLIANT*

*If you require a specific size of ceiling rose for UL use, please inform our sales team

WARRANTY

10 years*

FINISHING NOTE

Alabaster is a natural material with distinctly unique formations, markings and colouration. It is part of its charm that no two lamps are exactly the same.

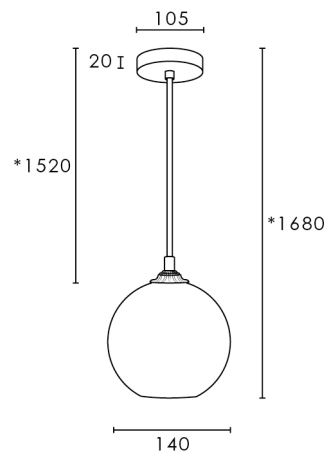
CLEANING INSTRUCTIONS

The finishes on this luminaire only require regular cleaning with a soft dry duster. Abrasive or chemical cleaners may harm the finish and should not be used.

FIXING NOTE

It is the buyer's responsibility to ensure that suitable fixings are used.

*Please refer to our Terms & Conditions for further information.



Dimensions in mm and approximate. *Adjustable

**H&
CO**

LIGHT BEYOND DESIGN

www.heathfield.co.uk | +44 (0) 1732 350450 | sales@heathfield.co.uk
Unit 1, Priory Road, Tonbridge, Kent, TN9 2AF, United Kingdom. This specification is subject to our standard Terms & Conditions, a copy of which can be found at heathfield.co.uk. © 2025 Heathfield & Co. All rights reserved.

Heathfield&Co

Product Specification Sheet

CEILING LIGHT | RHEA 3 ANTIQUE BRASS LIGHT CLUSTER



PRODUCT INFORMATION

Base Code: PD-RHEA-ABRS-ALAB-PM03

Material: Metal & Alabaster

Finish shown: White

Metalwork: Antique Brass

Flex: UK & EU 1.5 metres of Oatmeal braided flex /
US Oatmeal braided flex

TECHNICAL INFORMATION

Weight: 4.2kg / 9.3lbs

Lamping: 3x E14 Pluto LED Bulb. 3W 2700K 240LM.

Supplied with our recommended Tala bulb (when selected).

TOTAL HEIGHT: *1695 mm / *66³/₄"

TOTAL WIDTH: 250 mm / 10"

CEILING ROSE HEIGHT: 35 mm / 1¹/₂"

CEILING ROSE WIDTH: 250 mm / 10"

UKCA / CE / UL COMPLIANT*

*If you require a specific size of ceiling rose for UL use, please inform our sales team

WARRANTY

10 years*

FINISHING NOTE

Alabaster is a natural material with distinctly unique formations, markings and colouration. It is part of its charm that no two lamps are exactly the same.

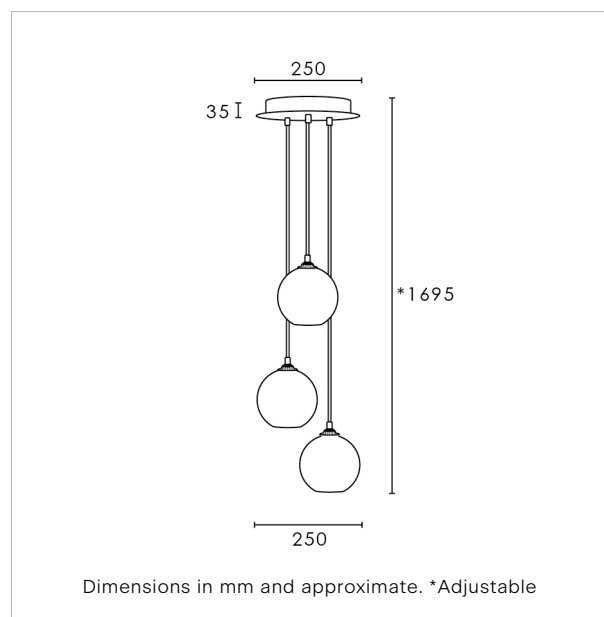
CLEANING INSTRUCTIONS

The finishes on this luminaire only require regular cleaning with a soft dry duster. Abrasive or chemical cleaners may harm the finish and should not be used.

FIXING NOTE

It is the buyer's responsibility to ensure that suitable fixings are used.

*Please refer to our Terms & Conditions for further information.



H&
CO

LIGHT BEYOND DESIGN

www.heathfield.co.uk | +44 (0) 1732 350450 | sales@heathfield.co.uk
Unit 1, Priory Road, Tonbridge, Kent, TN9 2AF, United Kingdom. This specification is subject to our standard Terms & Conditions, a copy of which can be found at heathfield.co.uk. © 2025 Heathfield & Co. All rights reserved.

Heathfield&Co

Product Specification Sheet

CEILING LIGHT | RHEA 5 LIGHT ANTIQUE BRASS CLUSTER



PRODUCT INFORMATION

Base Code: PD-RHEA-ABRS-ALAB-PM05

Material: Metal & Alabaster

Finish shown: White

Metalwork: Antique Brass

Flex: UK & EU 1.5 metres of Oatmeal braided flex /
US Oatmeal braided flex

TECHNICAL INFORMATION

Weight: 7kg / 15.4lbs

Lamping: 5x E14 Pluto LED Bulb. 3W 2700K 240LM.

Supplied with our recommended Tala bulb (when selected).

TOTAL HEIGHT: *1700 mm / *67"

TOTAL WIDTH: 370 mm / 14³/₄"

CEILING ROSE HEIGHT: 40 mm / 1³/₄"

CEILING ROSE WIDTH: 370 mm / 14³/₄"

UKCA / CE / UL COMPLIANT*

*If you require a specific size of ceiling rose for UL use, please inform our sales team

WARRANTY

10 years*

FINISHING NOTE

Alabaster is a natural material with distinctly unique formations, markings and colouration. It is part of its charm that no two lamps are exactly the same.

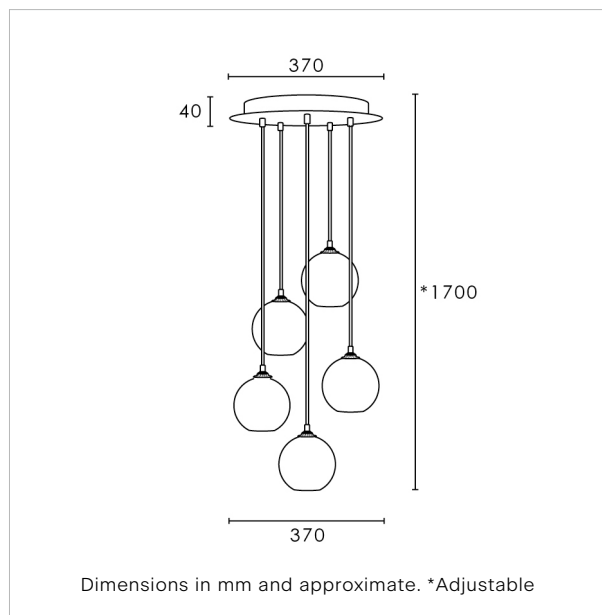
CLEANING INSTRUCTIONS

The finishes on this luminaire only require regular cleaning with a soft dry duster. Abrasive or chemical cleaners may harm the finish and should not be used.

FIXING NOTE

It is the buyer's responsibility to ensure that suitable fixings are used.

*Please refer to our Terms & Conditions for further information.



H&
CO

LIGHT BEYOND DESIGN