

Heathfield&Co

Product Specification Sheet

CEILING LIGHT | RAE PENDANT



PRODUCT INFORMATION

Base Code: PD-RAE0-SBRS-ALAB

Material: Alabaster

Finish shown: White

Flex: UK & EU 1.5 metres of Oatmeal braided flex /
US Oatmeal braided cable

TECHNICAL INFORMATION

Weight: 3.2kg / 7lbs

Switching & Plug: Hardwired

Lamping: 1x E27 lampholder / 1x E26 US lampholder

60W max. LED lamps recommended.

Lamps not included

TOTAL HEIGHT: 1880 mm / 74"

TOTAL WIDTH: 180 mm / 7"

UKCA / CE / UL COMPLIANT

WARRANTY

10 years*

FINISHING NOTE

Alabaster is a natural material with distinctly unique formations, markings and colouration. It is part of its charm that no two lamps are exactly the same.

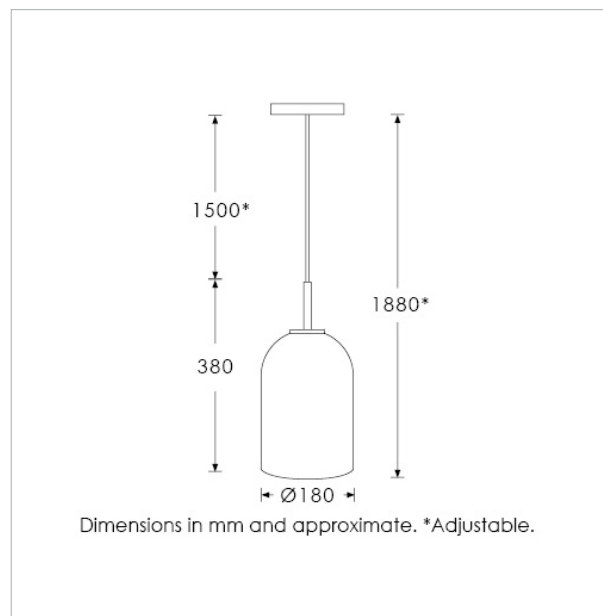
CLEANING INSTRUCTIONS

The finishes on this luminaire only require regular cleaning with a soft dry duster. Abrasive or chemical cleaners may harm the finish and should not be used.

FIXING NOTE

It is the buyer's responsibility to ensure that suitable fixings are used.

*Please refer to our Terms & Conditions for further information.



H&
CO

LIGHT BEYOND DESIGN

Heathfield&Co

Product Specification Sheet

CEILING LIGHT | RAE 3 LIGHT CLUSTER SATIN BRASS



PRODUCT INFORMATION

Base Code: PD-RAEO-SBRS-ALAB-V03

Material: Brass & Alabaster

Finish shown: White

Metalwork: Satin Brass

TECHNICAL INFORMATION

Weight: 9.6kg / 21.2lbs

Lamping: 3x E27 Lampholder / 3x E26 US lampholder
60W max. LED Lamps Recommended.

Lamps not included

TOTAL HEIGHT: 2415mm / 95"

TOTAL WIDTH: 250mm / 10"

CEILING ROSE HEIGHT: 35mm / 1¹/₂"

CEILING ROSE WIDTH: 250mm / 10"

UKCA / CE / WIRED USING US COMPONENTS

WARRANTY

10 years*

FINISHING NOTE

Alabaster is a natural material with distinctly unique formations, markings and colouration. It is part of its charm that no two lamps are exactly the same.

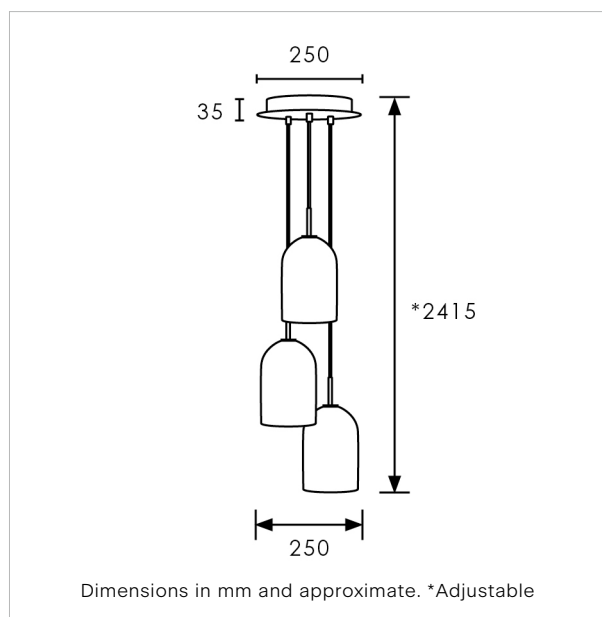
CLEANING INSTRUCTIONS

The finishes on this luminaire only require regular cleaning with a soft dry duster. Abrasive or chemical cleaners may harm the finish and should not be used.

FIXING NOTE

It is the buyer's responsibility to ensure that suitable fixings are used.

*Please refer to our Terms & Conditions for further information.



H&
CO

LIGHT BEYOND DESIGN

www.heathfield.co.uk | +44 (0) 1732 350450 | sales@heathfield.co.uk
Unit 1, Priory Road, Tonbridge, Kent, TN9 2AF, United Kingdom. This specification is subject to our standard Terms & Conditions, a copy of which can be found at heathfield.co.uk. © 2025 Heathfield & Co. All rights reserved.

Heathfield&Co

Product Specification Sheet

CEILING LIGHT | RAE 5 LIGHT CLUSTER SATIN BRASS



PRODUCT INFORMATION

Base Code: PD-RAE0-SBRS-ALAB-V05

Material: Brass & Alabaster

Finish shown: White

Metalwork: Satin Brass

TECHNICAL INFORMATION

Weight: 16kg / 35.3lbs

Switching & Plug: Hardwired

Lamping: 5x E27 Lampholder / 5x E26 US lampholder

60W max. LED Lamps Recommended.

Lamps not included

TOTAL HEIGHT: 2420mm / 95¹/₄"

TOTAL WIDTH: 370mm / 14¹/₂"

CEILING ROSE HEIGHT: 40mm / 1³/₄"

CEILING ROSE WIDTH: 370mm / 14¹/₂"

UKCA / CE / WIRED USING US COMPONENTS

WARRANTY

10 years*

FINISHING NOTE

Alabaster is a natural material with distinctly unique formations, markings and colouration. It is part of its charm that no two lamps are exactly the same.

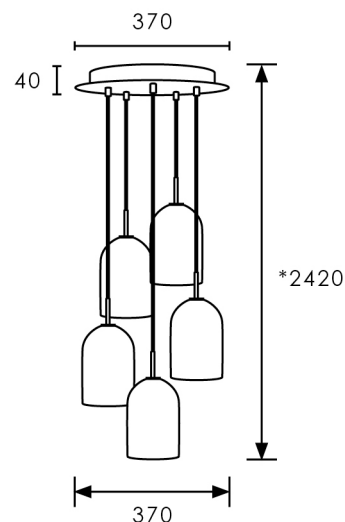
CLEANING INSTRUCTIONS

The finishes on this luminaire only require regular cleaning with a soft dry duster. Abrasive or chemical cleaners may harm the finish and should not be used.

FIXING NOTE

It is the buyer's responsibility to ensure that suitable fixings are used.

*Please refer to our Terms & Conditions for further information.



Dimensions in mm and approximate. *Adjustable

H&
CO

LIGHT BEYOND DESIGN

www.heathfield.co.uk | +44 (0) 1732 350450 | sales@heathfield.co.uk
Unit 1, Priory Road, Tonbridge, Kent, TN9 2AF, United Kingdom. This specification is subject to our standard Terms & Conditions, a copy of which can be found at heathfield.co.uk. © 2025 Heathfield & Co. All rights reserved.