

Heathfield&Co

Product Specification Sheet

CEILING LIGHT | ORLA 2 LIGHT VERTICAL SATIN BRASS



PRODUCT INFORMATION

Base Code: PD-ORLA-SBRS-SPEC-0V2

Material: Brass & Glass

Finish shown: Speckle

Metalwork: Satin Brass

TECHNICAL INFORMATION

Weight: 2.7kg / 6lbs

Switching & Plug: Hardwired

Lamping: 2x G9 lampholder

25W max. LED lamps recommended.

Lamps not included

TOTAL HEIGHT: 795 mm / 31¹/₄"

TOTAL WIDTH: 260 mm / 10¹/₄"

UKCA / CE / WIRED USING US COMPONENTS

WARRANTY

10 years*

FINISHING NOTE

Our carefully selected glass and metalwork components are all hand finished by skilled artisans and as such no two products are exactly the same - something that adds to the unique charm of this product.

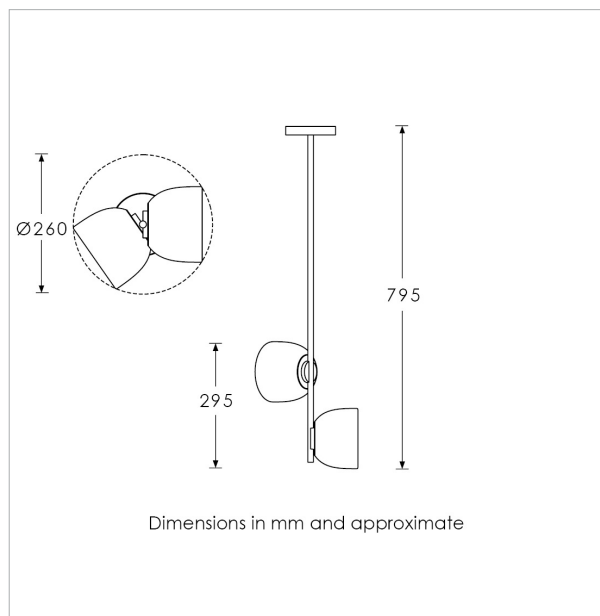
CLEANING INSTRUCTIONS

The finishes on this luminaire only require regular cleaning with a soft dry duster. Abrasive or chemical cleaners may harm the finish and should not be used.

FIXING NOTE

It is the buyer's responsibility to ensure that suitable fixings are used.

*Please refer to our Terms & Conditions for further information.



H&
CO

LIGHT BEYOND DESIGN

Heathfield&Co

Product Specification Sheet

CEILING LIGHT | ORLA 2 LIGHT VERTICAL BLACKENED BRONZE



PRODUCT INFORMATION

Base Code: PD-ORLA-BRNZ-SPEC-0V2

Material: Bronze & Glass

Finish shown: Speckle

Metalwork: Blackened Brass

TECHNICAL INFORMATION

Weight: 2.7kg / 6lbs

Switching & Plug: Hardwired

Lamping: 2x G9 lampholder

25W max. LED lamps recommended.

Lamps not included

TOTAL HEIGHT: 795 mm / 31¹/₄"

TOTAL WIDTH: 260 mm / 10¹/₄"

UKCA / CE / WIRED USING US COMPONENTS

WARRANTY

10 years*

FINISHING NOTE

Our carefully selected glass and metalwork components are all hand finished by skilled artisans and as such no two products are exactly the same - something that adds to the unique charm of this product.

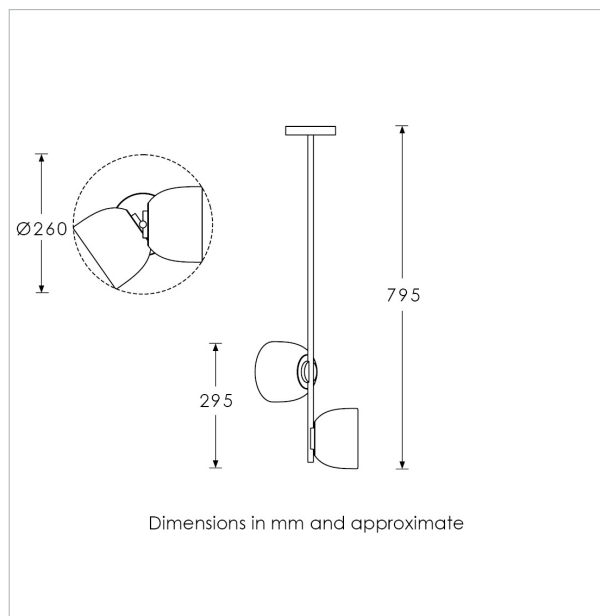
CLEANING INSTRUCTIONS

The finishes on this luminaire only require regular cleaning with a soft dry duster. Abrasive or chemical cleaners may harm the finish and should not be used.

FIXING NOTE

It is the buyer's responsibility to ensure that suitable fixings are used.

*Please refer to our Terms & Conditions for further information.



H&
CO

LIGHT BEYOND DESIGN

Heathfield&Co

Product Specification Sheet

CEILING LIGHT | ORLA 3 LIGHT VERTICAL SATIN BRASS



PRODUCT INFORMATION

Base Code: PD-ORLA-SBRS-SPEC-OV3

Material: Brass & Glass

Finish shown: Speckle

Metalwork: Satin Brass

TECHNICAL INFORMATION

Weight: 4kg / 8.8lbs

Switching & Plug: Hardwired

Lamping: 3x G9 lampholder

25W max. LED lamps recommended.

Lamps not included

TOTAL HEIGHT: 1095 mm / 43"

TOTAL WIDTH: 260 mm / 10¹/₄"

UKCA / CE / WIRED USING US COMPONENTS

WARRANTY

10 years*

FINISHING NOTE

Our carefully selected glass and metalwork components are all hand finished by skilled artisans and as such no two products are exactly the same - something that adds to the unique charm of this product.

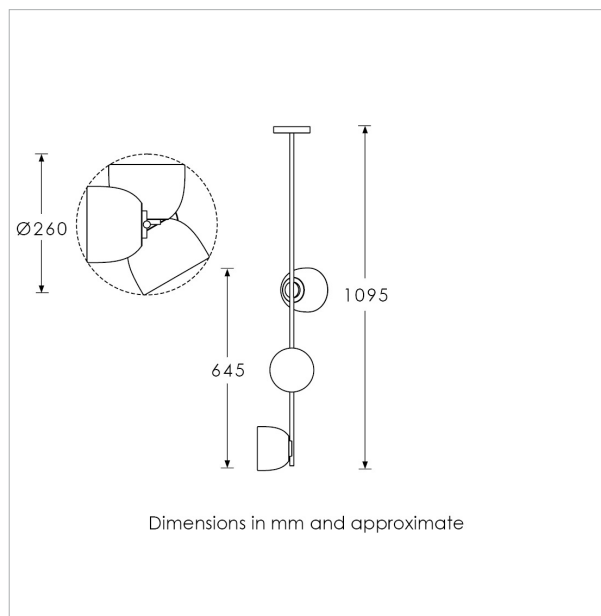
CLEANING INSTRUCTIONS

The finishes on this luminaire only require regular cleaning with a soft dry duster. Abrasive or chemical cleaners may harm the finish and should not be used.

FIXING NOTE

It is the buyer's responsibility to ensure that suitable fixings are used.

*Please refer to our Terms & Conditions for further information.



H&CO

LIGHT BEYOND DESIGN

Heathfield&Co

Product Specification Sheet

CEILING LIGHT | ORLA 3 LIGHT VERTICAL BLACKENED BRONZE



PRODUCT INFORMATION

Base Code: PD-ORLA-BRNZ-SPEC-0V3

Material: Bronze & Glass

Finish shown: Speckle

Metalwork: Blackened Bronze

TECHNICAL INFORMATION

Weight: 4kg / 8.8lbs

Switching & Plug: Hardwired

Lamping: 3x G9 lampholder

25W max. LED lamps recommended.

Lamps not included

TOTAL HEIGHT: 1095 mm / 43"

TOTAL WIDTH: 260 mm / 10¹/₄"

UKCA / CE / WIRED USING US COMPONENTS

WARRANTY

10 years*

FINISHING NOTE

Our carefully selected glass and metalwork components are all hand finished by skilled artisans and as such no two products are exactly the same - something that adds to the unique charm of this product.

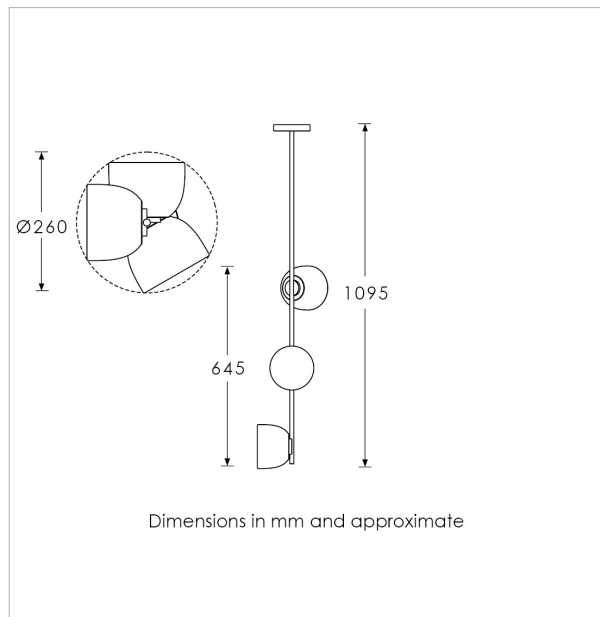
CLEANING INSTRUCTIONS

The finishes on this luminaire only require regular cleaning with a soft dry duster. Abrasive or chemical cleaners may harm the finish and should not be used.

FIXING NOTE

It is the buyer's responsibility to ensure that suitable fixings are used.

*Please refer to our Terms & Conditions for further information.



H&
CO

LIGHT BEYOND DESIGN