

Heathfield&Co

Product Specification Sheet

CEILING LIGHT | ORLA 3 LIGHT HORIZONTAL SATIN BRASS



PRODUCT INFORMATION

Base Code: PD-ORLA-SBRS-SPEC-0H3

Material: Brass & Glass

Finish shown: Speckle

Metalwork: Satin Brass

TECHNICAL INFORMATION

Weight: 5.5kg / 12lbs

Switching & Plug: Hardwired Lamping:

3x G9 lampholder

25W max. LED lamps recommended.

Lamps not included

TOTAL HEIGHT: 685 mm / 27"

TOTAL WIDTH: 995 mm / 39"

UKCA / CE / WIRED USING US COMPONENTS

WARRANTY

10 years*

FINISHING NOTE

Our carefully selected glass and metalwork components are all hand finished by skilled artisans and as such no two products are exactly the same - something that adds to the unique charm of this product.

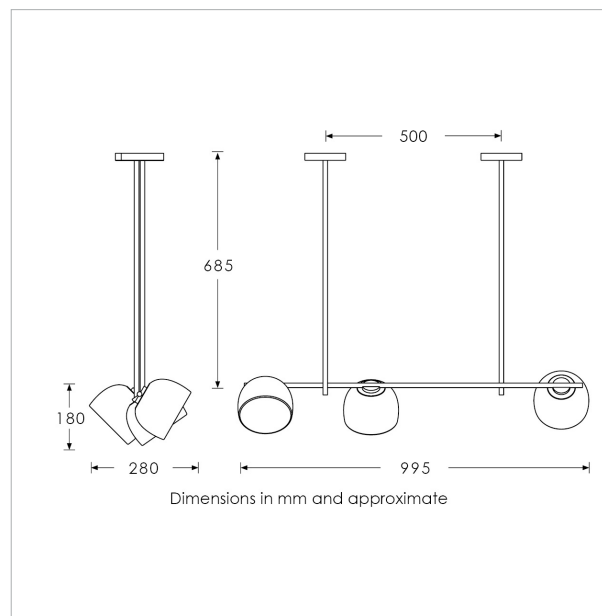
CLEANING INSTRUCTIONS

The finishes on this luminaire only require regular cleaning with a soft dry duster. Abrasive or chemical cleaners may harm the finish and should not be used.

FIXING NOTE

It is the buyer's responsibility to ensure that suitable fixings are used.

*Please refer to our Terms & Conditions for further information.



H&CO

LIGHT BEYOND DESIGN

Heathfield&Co

Product Specification Sheet

CEILING LIGHT | ORLA 3 LIGHT HORIZONTAL BLACKENED BRONZE



PRODUCT INFORMATION

Base Code: PD-ORLA-BRNZ-SPEC-OH3

Material: Bronze & Glass

Finish shown: Speckle

Metalwork: Blackened Bronze

TECHNICAL INFORMATION

Weight: 5.5kg / 12lbs

Switching & Plug: Hardwired

Lamping: 3x G9 lampholder

25W max. LED lamps recommended.

Lamps not included

TOTAL HEIGHT: 685 mm / 27"

TOTAL WIDTH: 995 mm / 39"

UKCA / CE / WIRED USING US COMPONENTS

WARRANTY

10 years*

FINISHING NOTE

Our carefully selected glass and metalwork components are all hand finished by skilled artisans and as such no two products are exactly the same - something that adds to the unique charm of this product.

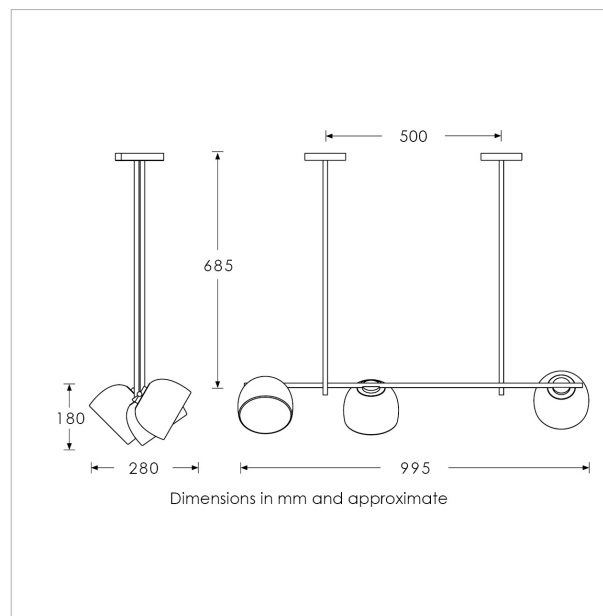
CLEANING INSTRUCTIONS

The finishes on this luminaire only require regular cleaning with a soft dry duster. Abrasive or chemical cleaners may harm the finish and should not be used.

FIXING NOTE

It is the buyer's responsibility to ensure that suitable fixings are used.

*Please refer to our Terms & Conditions for further information.



H&CO

LIGHT BEYOND DESIGN

Heathfield&Co

Product Specification Sheet

CEILING LIGHT | ORLA 5 LIGHT HORIZONTAL SATIN BRASS



PRODUCT INFORMATION

Base Code: PD-ORLA-SBRS-SPEC-OH5

Material: Brass & Glass

Finish shown: Speckle

Metalwork: Satin Brass

TECHNICAL INFORMATION

Weight: 8.5kg / 18.7lbs

Switching & Plug: Hardwired

Lamping: 5x G9 lampholder

25W max. LED lamps recommended.

Lamps not included

TOTAL HEIGHT: 685 mm / 27"

TOTAL WIDTH: 1695 mm / 66^{3/4}"

UKCA / CE / WIRED USING US COMPONENTS

WARRANTY

10 years*

FINISHING NOTE

Our carefully selected glass and metalwork components are all hand finished by skilled artisans and as such no two products are exactly the same - something that adds to the unique charm of this product.

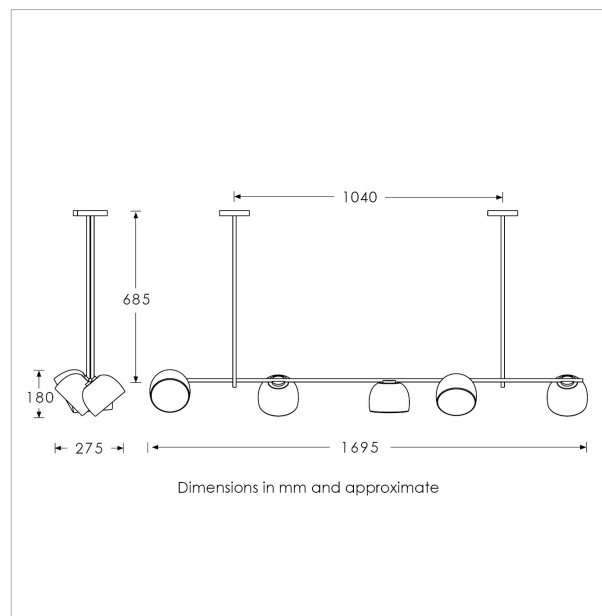
CLEANING INSTRUCTIONS

The finishes on this luminaire only require regular cleaning with a soft dry duster. Abrasive or chemical cleaners may harm the finish and should not be used.

FIXING NOTE

It is the buyer's responsibility to ensure that suitable fixings are used.

*Please refer to our Terms & Conditions for further information.



H&CO

LIGHT BEYOND DESIGN

Heathfield&Co

Product Specification Sheet

CEILING LIGHT | ORLA 5 LIGHT HORIZONTAL BLACKENED BRONZE



PRODUCT INFORMATION

Base Code: PD-ORLA-BRNZ-SPEC-OH5

Material: Bronze & Glass

Finish shown: Speckle

Metalwork: Blackened Bronze

TECHNICAL INFORMATION

Weight: 8.5kg / 18.7lbs

Switching & Plug: Hardwired

Lamping: 5x G9 lampholder

25W max. LED lamps recommended.

Lamps not included

TOTAL HEIGHT: 685 mm / 27"

TOTAL WIDTH: 1695 mm / 66^{3/4}"

UKCA / CE / WIRED USING US COMPONENTS

WARRANTY

10 years*

FINISHING NOTE

Our carefully selected glass and metalwork components are all hand finished by skilled artisans and as such no two products are exactly the same - something that adds to the unique charm of this product.

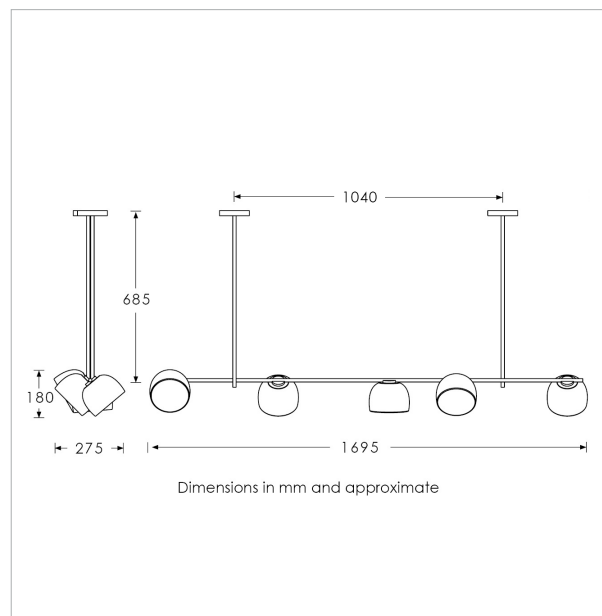
CLEANING INSTRUCTIONS

The finishes on this luminaire only require regular cleaning with a soft dry duster. Abrasive or chemical cleaners may harm the finish and should not be used.

FIXING NOTE

It is the buyer's responsibility to ensure that suitable fixings are used.

*Please refer to our Terms & Conditions for further information.



H&CO

LIGHT BEYOND DESIGN