

Heathfield&Co

Product Specification Sheet

CEILING LIGHT | OREN



PRODUCT INFORMATION

Base Code: PD-OREN-SBRS-ALAB

Material: Alabaster

Finish shown: White

Metalwork: Satin Brass

TECHNICAL INFORMATION

Weight: 14.5kg / 32lbs

Switching & Plug: Hardwired

Lamping: 3x E27 lampholder / 3x E26 US lampholder

25W max. LED lamps recommended.

Lamps not included

TOTAL HEIGHT: 920 mm / 36.2"

TOTAL WIDTH: 600 mm / 23.6"

UKCA / CE / WIRED USING US COMPONENTS

WARRANTY

10 years*

FINISHING NOTE

Alabaster is a natural material with distinctly unique formations, markings and colouration. It is part of its charm that no two lamps are exactly the same.

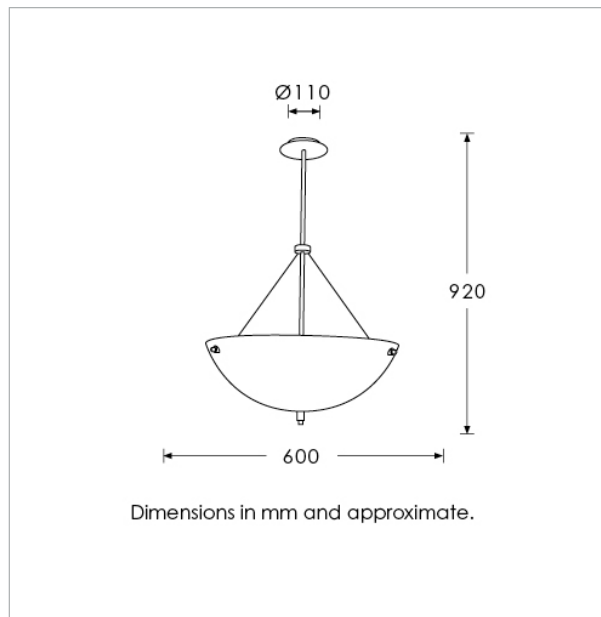
CLEANING INSTRUCTIONS

The finishes on this luminaire only require regular cleaning with a soft dry duster. Abrasive or chemical cleaners may harm the finish and should not be used.

FIXING NOTE

It is the buyer's responsibility to ensure that suitable fixings are used.

*Please refer to our Terms & Conditions for further information.



H&
CO

LIGHT BEYOND DESIGN