

Heathfield&Co

Product Specification Sheet

CEILING LIGHT | NULA VERTICAL BLACKENED BRONZE



PRODUCT INFORMATION

Base Code: PD-NULA-DBRZ-ALAB-V01

Material: Metal & Alabaster

Finish shown: White

Metalwork: Blackened Bronze

Flex: UK & EU 1.5 metres of Oatmeal braided flex /

US Oatmeal braided flex

TECHNICAL INFORMATION

Weight: 1.5kg / 3.3lbs

Switching & Plug: Hardwired - An IP rated terminal block must be used in this fitting for use in a bathroom

Lamping: Integrated LED 2700 Kelvin - 10W Mains

Dimmable Driver contained within the back box.

Compatible with standard mains TRIAC dimmers.

Lumen Output: Approx. 500Lm

TOTAL HEIGHT: *1805 mm / *71"

TOTAL WIDTH: 60 mm / 2 1/2"

CEILING ROSE HEIGHT: 50 mm / 2"

CEILING ROSE WIDTH: 130 mm / 5 1/4"

UKCA / CE / WIRED USING US COMPONENTS*

IP44 RATED

*If you require a specific size of ceiling rose for UL use, please inform our sales team

WARRANTY

10 years*

FINISHING NOTE

Alabaster is a natural material with distinctly unique formations, markings and colouration. It is part of its charm that no two lamps are exactly the same.

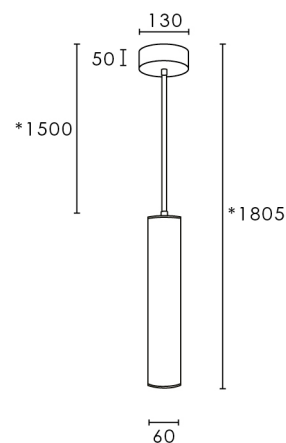
CLEANING INSTRUCTIONS

The finishes on this luminaire only require regular cleaning with a soft dry duster. Abrasive or chemical cleaners may harm the finish and should not be used.

FIXING NOTE

It is the buyer's responsibility to ensure that suitable fixings are used.

*Please refer to our Terms & Conditions for further information.



Dimensions in mm and approximate. *Adjustable

H&
CO

LIGHT BEYOND DESIGN

www.heathfield.co.uk | +44 (0) 1732 350450 | sales@heathfield.co.uk
Unit 1, Priory Road, Tonbridge, Kent, TN9 2AF, United Kingdom. This specification is subject to our standard Terms & Conditions, a copy of which can be found at heathfield.co.uk. © 2026 Heathfield & Co. All rights reserved.

Heathfield&Co

Product Specification Sheet

CEILING LIGHT | NULA VERTICAL SATIN BRASS



PRODUCT INFORMATION

Base Code: PD-NULA-SBRS-ALAB-V01

Material: Metal & Alabaster

Finish shown: White

Metalwork: Satin Brass

Flex: UK & EU 1.5 metres of Oatmeal braided flex /

US Oatmeal braided flex

TECHNICAL INFORMATION

Weight: 1.5kg / 3.3lbs

Switching & Plug: Hardwired - An IP rated terminal block must be used in this fitting for use in a bathroom

Lamping: Integrated LED 2700 Kelvin - 10W Mains

Dimmable Driver contained within the back box.

Compatible with standard mains TRIAC dimmers.

Lumen Output: Approx. 500Lm

TOTAL HEIGHT: *1805 mm / *71"

TOTAL WIDTH: 60 mm / 2 1/2"

CEILING ROSE HEIGHT: 50 mm / 2"

CEILING ROSE WIDTH: 130 mm / 5 1/4"

UKCA / CE / WIRED USING US COMPONENTS*

IP44 RATED

*If you require a specific size of ceiling rose for UL use, please inform our sales team

WARRANTY

10 years*

FINISHING NOTE

Alabaster is a natural material with distinctly unique formations, markings and colouration. It is part of its charm that no two lamps are exactly the same.

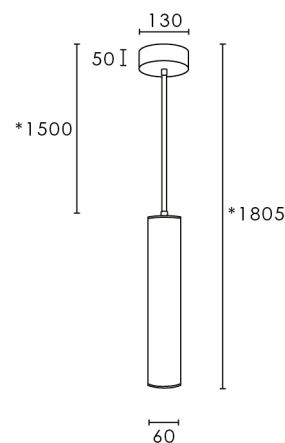
CLEANING INSTRUCTIONS

The finishes on this luminaire only require regular cleaning with a soft dry duster. Abrasive or chemical cleaners may harm the finish and should not be used.

FIXING NOTE

It is the buyer's responsibility to ensure that suitable fixings are used.

*Please refer to our Terms & Conditions for further information.



Dimensions in mm and approximate. *Adjustable

H&
CO

LIGHT BEYOND DESIGN

www.heathfield.co.uk | +44 (0) 1732 350450 | sales@heathfield.co.uk
Unit 1, Priory Road, Tonbridge, Kent, TN9 2AF, United Kingdom. This specification is subject to our standard Terms & Conditions, a copy of which can be found at heathfield.co.uk. © 2026 Heathfield & Co. All rights reserved.

Heathfield & Co

Product Specification Sheet

CEILING LIGHT | NULA 3 LIGHT BLACKENED BRONZE CLUSTER



PRODUCT INFORMATION

Base Code: PD-NULA-BBRZ-ALAB-V03

Material: Metal & Alabaster

Finish shown: White

Metalwork: Blackened Bronze

Flex: UK & EU 1.5 metres of Oatmeal braided flex /
US Oatmeal braided flex

TECHNICAL INFORMATION

Weight: 4.5kg / 10lbs

Switching & Plug: Hardwired

Lamping: Integrated LED 2700 Kelvin 5W Mains

Dimmable Driver contained within the ceiling rose

TOTAL HEIGHT: *1840 mm / *72^{1/2}"

TOTAL WIDTH: 250 mm / 10"

CEILING ROSE HEIGHT: 35 mm / 1^{1/2}"

CEILING ROSE WIDTH: 250 mm / 10"

UKCA / CE / WIRED USING US COMPONENTS*

*If you require a specific size of ceiling rose for UL use, please inform our sales team

WARRANTY

10 years*

FINISHING NOTE

Alabaster is a natural material with distinctly unique formations, markings and colouration. It is part of its charm that no two lamps are exactly the same.

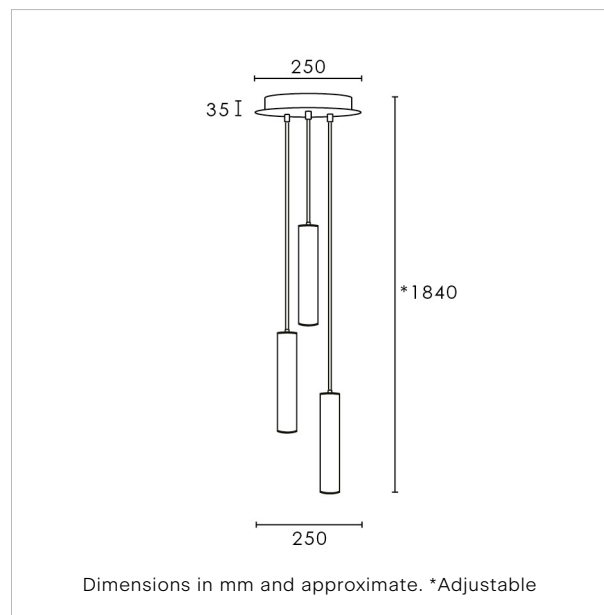
CLEANING INSTRUCTIONS

The finishes on this luminaire only require regular cleaning with a soft dry duster. Abrasive or chemical cleaners may harm the finish and should not be used.

FIXING NOTE

It is the buyer's responsibility to ensure that suitable fixings are used.

*Please refer to our Terms & Conditions for further information.



H&
CO

LIGHT BEYOND DESIGN

www.heathfield.co.uk | +44 (0) 1732 350450 | sales@heathfield.co.uk
Unit 1, Priory Road, Tonbridge, Kent, TN9 2AF, United Kingdom. This specification is subject to our standard Terms & Conditions, a copy of which can be found at heathfield.co.uk. © 2026 Heathfield & Co. All rights reserved.

Heathfield&Co

Product Specification Sheet

CEILING LIGHT | NULA 3 LIGHT SATIN BRASS CLUSTER



PRODUCT INFORMATION

Base Code: PD-NULA-SBRS-ALAB-V03

Material: Metal & Alabaster

Finish shown: White

Metalwork: Satin Brass

Flex: UK & EU 1.5 metres of Oatmeal braided flex /
US Oatmeal braided flex

TECHNICAL INFORMATION

Weight: 4.5kg / 10lbs

Switching & Plug: Hardwired

Lamping: Integrated LED 2700 Kelvin 5W Mains

Dimmable Driver contained within the ceiling rose

TOTAL HEIGHT: *1840 mm / *72^{1/2}"

TOTAL WIDTH: 250 mm / 10"

CEILING ROSE HEIGHT: 35 mm / 1^{1/2}"

CEILING ROSE WIDTH: 250 mm / 10"

UKCA / CE / WIRED USING US COMPONENTS*

*If you require a specific size of ceiling rose for UL use, please inform our sales team

WARRANTY

10 years*

FINISHING NOTE

Alabaster is a natural material with distinctly unique formations, markings and colouration. It is part of its charm that no two lamps are exactly the same.

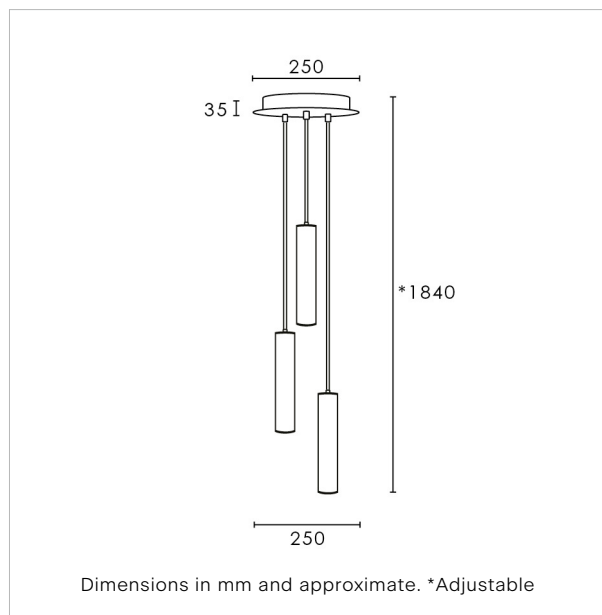
CLEANING INSTRUCTIONS

The finishes on this luminaire only require regular cleaning with a soft dry duster. Abrasive or chemical cleaners may harm the finish and should not be used.

FIXING NOTE

It is the buyer's responsibility to ensure that suitable fixings are used.

*Please refer to our Terms & Conditions for further information.



**H&
CO**

LIGHT BEYOND DESIGN

www.heathfield.co.uk | +44 (0) 1732 350450 | sales@heathfield.co.uk
Unit 1, Priory Road, Tonbridge, Kent, TN9 2AF, United Kingdom. This specification is subject to our standard Terms & Conditions, a copy of which can be found at heathfield.co.uk. © 2026 Heathfield & Co. All rights reserved.

Heathfield&Co

Product Specification Sheet

CEILING LIGHT | NULA 5 LIGHT BLACKENED BRONZE CLUSTER



PRODUCT INFORMATION

Base Code: PD-NULA-BBRZ-ALAB-V05

Material: Metal & Alabaster

Finish shown: White

Metalwork: Blackened Bronze

Flex: UK & EU 1.5 metres of Oatmeal braided flex /
US Oatmeal braided flex

TECHNICAL INFORMATION

Weight: 7.5kg / 16.5lbs

Switching & Plug: Hardwired

Lamping: Integrated LED 2700 Kelvin 5W Mains

Dimmable Driver contained within the ceiling rose

TOTAL HEIGHT: *1845 mm / *72^{3/4}"

TOTAL WIDTH: 370 mm / 14^{3/4}"

CEILING ROSE HEIGHT: 40 mm / 1^{3/4}"

CEILING ROSE WIDTH: 370 mm / 14^{3/4}"

UKCA / CE / WIRED USING US COMPONENTS*

*If you require a specific size of ceiling rose for UL use, please inform our sales team

WARRANTY

10 years*

FINISHING NOTE

Alabaster is a natural material with distinctly unique formations, markings and colouration. It is part of its charm that no two lamps are exactly the same.

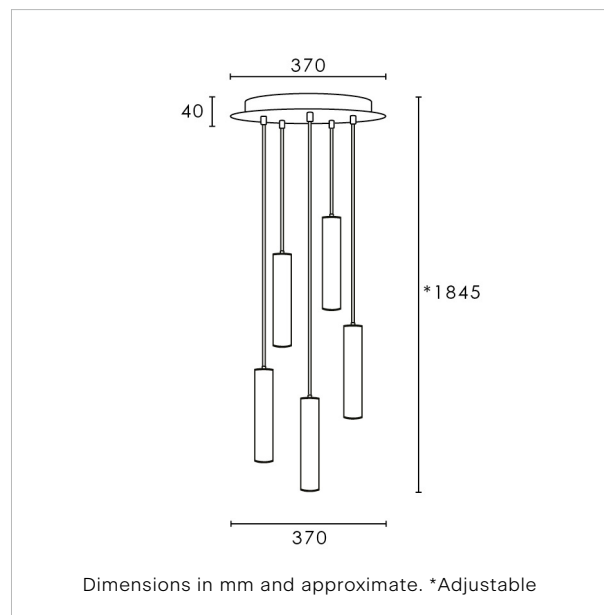
CLEANING INSTRUCTIONS

The finishes on this luminaire only require regular cleaning with a soft dry duster. Abrasive or chemical cleaners may harm the finish and should not be used.

FIXING NOTE

It is the buyer's responsibility to ensure that suitable fixings are used.

*Please refer to our Terms & Conditions for further information.



H&
CO

LIGHT BEYOND DESIGN

www.heathfield.co.uk | +44 (0) 1732 350450 | sales@heathfield.co.uk
Unit 1, Priory Road, Tonbridge, Kent, TN9 2AF, United Kingdom. This specification is subject to our standard Terms & Conditions, a copy of which can be found at heathfield.co.uk. © 2026 Heathfield & Co. All rights reserved.

Heathfield&Co

Product Specification Sheet

CEILING LIGHT | NULA 5 LIGHT SATIN BRASS CLUSTER



PRODUCT INFORMATION

Base Code: PD-NULA-SBRS-ALAB-V05

Material: Metal & Alabaster

Finish shown: White

Metalwork: Satin Brass

Flex: UK & EU 1.5 metres of Oatmeal braided flex /
US Oatmeal braided flex

TECHNICAL INFORMATION

Weight: 7.5kg / 16.5lbs

Switching & Plug: Hardwired

Lamping: Integrated LED 2700 Kelvin 5W Mains

Dimmable Driver contained within the ceiling rose

TOTAL HEIGHT: *1845 mm / *72^{3/4}"

TOTAL WIDTH: 370 mm / 14^{3/4}"

CEILING ROSE HEIGHT: 40 mm / 1^{3/4}"

CEILING ROSE WIDTH: 370 mm / 14^{3/4}"

UKCA / CE / WIRED USING US COMPONENTS*

*If you require a specific size of ceiling rose for UL use, please inform our sales team

WARRANTY

10 years*

FINISHING NOTE

Alabaster is a natural material with distinctly unique formations, markings and colouration. It is part of its charm that no two lamps are exactly the same.

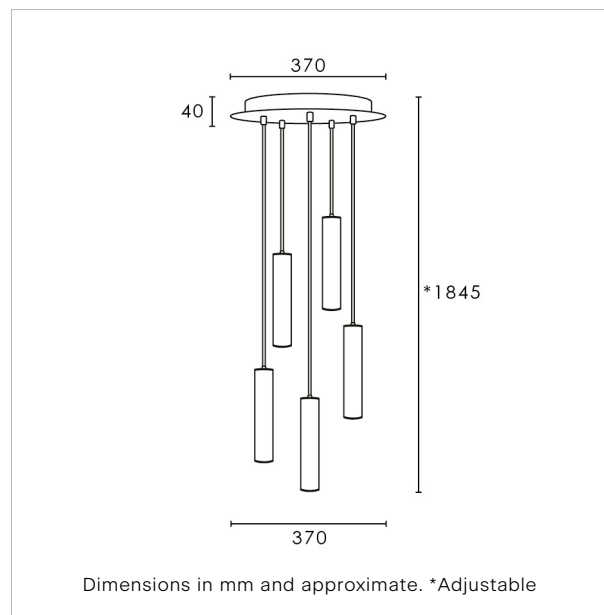
CLEANING INSTRUCTIONS

The finishes on this luminaire only require regular cleaning with a soft dry duster. Abrasive or chemical cleaners may harm the finish and should not be used.

FIXING NOTE

It is the buyer's responsibility to ensure that suitable fixings are used.

*Please refer to our Terms & Conditions for further information.



**H&
CO**

LIGHT BEYOND DESIGN

www.heathfield.co.uk | +44 (0) 1732 350450 | sales@heathfield.co.uk
Unit 1, Priory Road, Tonbridge, Kent, TN9 2AF, United Kingdom. This specification is subject to our standard Terms & Conditions, a copy of which can be found at heathfield.co.uk. © 2026 Heathfield & Co. All rights reserved.