

Heathfield&Co

Product Specification Sheet

CEILING LIGHT | MILO FLUSH BATHROOM PENDANT BLACKENED BRONZE



PRODUCT INFORMATION

Base Code: PD-MILO-BBRZ-WHTE-PF1

Material: Bronze & Glass

Finish shown: White Grain

Metalwork: Blackened Bronze

TECHNICAL INFORMATION

Weight: 2.5kg / 5.5lbs

Switching & Plug: Hardwired

An IP rated terminal block must be used in this fitting for use in a bathroom.

Lamping: 1x E14 lampholder / 1x E12 US lampholder
40W max. LED lamps recommended.

Lamps not included

TOTAL HEIGHT: 295mm / 11¹/₂"

TOTAL WIDTH: 260mm / 10¹/₄"

UKCA / CE / WIRED USING US COMPONENTS

IP44 RATED

WARRANTY

10 years*

FINISHING NOTE

Our carefully selected glass and metalwork components are all hand finished by skilled artisans and as such no two products are exactly the same - something that adds to the unique charm of this product.

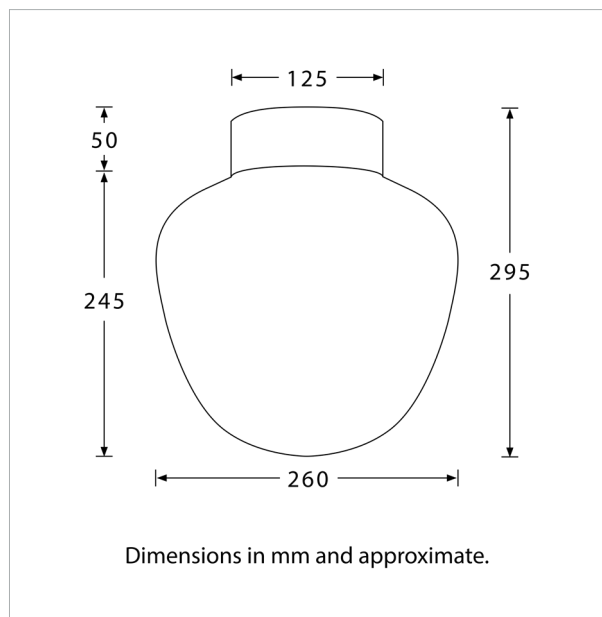
CLEANING INSTRUCTIONS

The finishes on this luminaire only require regular cleaning with a soft dry duster. Abrasive or chemical cleaners may harm the finish and should not be used.

FIXING NOTE

It is the buyer's responsibility to ensure that suitable fixings are used.

*Please refer to our Terms & Conditions for further information.



H&
CO

LIGHT BEYOND DESIGN

www.heathfield.co.uk | +44 (0) 1732 350450 | sales@heathfield.co.uk
Unit 1, Priory Road, Tonbridge, Kent, TN9 2AF, United Kingdom. This specification is subject to our standard Terms & Conditions, a copy of which can be found at heathfield.co.uk. © 2023 Heathfield & Co. All rights reserved.

Heathfield&Co

Product Specification Sheet

CEILING LIGHT | MILO FLUSH BATHROOM PENDANT SATIN BRASS



PRODUCT INFORMATION

Base Code: PD-MILO-SBRS-WHTE-PF1

Material: Brass & Glass

Finish shown: White Grain

Metalwork: Satin Brass

TECHNICAL INFORMATION

Weight: 2.5kg / 5.5lbs

Switching & Plug: Hardwired

Lamping: 1x E14 lampholder / 1x E12 US lampholder

40W max. LED lamps recommended.

Lamps not included

TOTAL HEIGHT: 295mm / 11¹/₂"

TOTAL WIDTH: 260mm / 10¹/₄"

UKCA / CE / WIRED USING US COMPONENTS

IP44 RATED

WARRANTY

10 years*

FINISHING NOTE

Our carefully selected glass and metalwork components are all hand finished by skilled artisans and as such no two products are exactly the same - something that adds to the unique charm of this product.

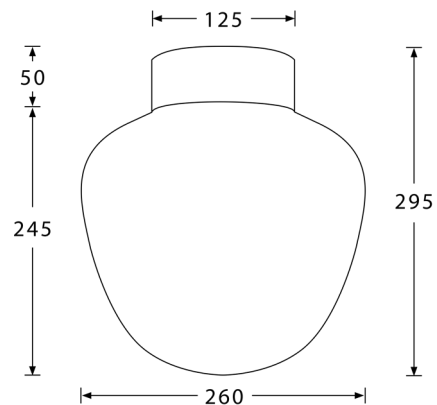
CLEANING INSTRUCTIONS

The finishes on this luminaire only require regular cleaning with a soft dry duster. Abrasive or chemical cleaners may harm the finish and should not be used.

FIXING NOTE

It is the buyer's responsibility to ensure that suitable fixings are used.

*Please refer to our Terms & Conditions for further information.



Dimensions in mm and approximate.

H&
CO

LIGHT BEYOND DESIGN