

# Heathfield&Co

## Product Specification Sheet

CEILING LIGHT | SURI 5 LIGHT CLUSTER SATIN BRASS



### PRODUCT INFORMATION

Base Code: PD-SURI-SBRS-WHTE-V05

Material: Brass, Ceramic & Wood

Finish shown: White Ceramic & Smoked Oak

Metalwork: Satin Brass

### TECHNICAL INFORMATION

Weight: 5kg / 11lbs

Lamping: 5x E27 Lampholder / 5x E26 US lampholder  
60W max. LED Lamps Recommended.

Lamps not included

TOTAL HEIGHT: 2315mm / 91<sup>1</sup>/<sub>4</sub>"

TOTAL WIDTH: 370mm / 14<sup>1</sup>/<sub>2</sub>"

CEILING ROSE HEIGHT: 40mm / 1<sup>3</sup>/<sub>4</sub>"

CEILING ROSE WIDTH: 370mm / 14<sup>1</sup>/<sub>2</sub>"

UKCA / CE / WIRED USING US COMPONENTS

### WARRANTY

10 years\*

### FINISHING NOTE

The ceramic glazes that we have used on this lamp will create differences from piece to piece - variations in colour, formation and detailing. As such, it is part of the charm that no two products are exactly the same.

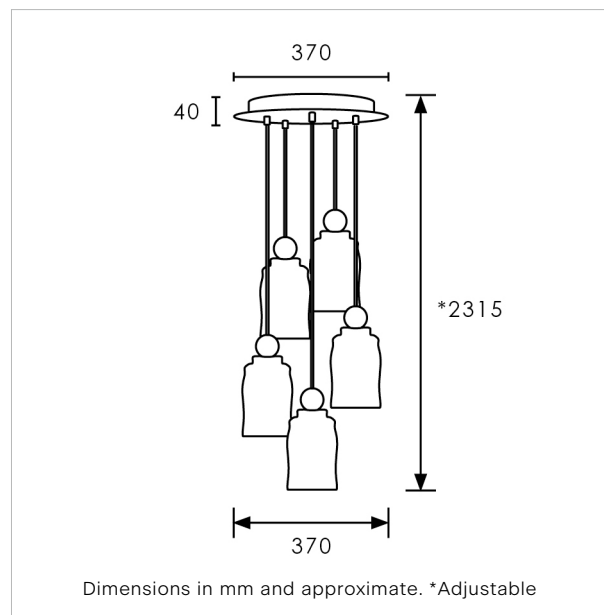
### CLEANING INSTRUCTIONS

The finishes on this luminaire only require regular cleaning with a soft dry duster. Abrasive or chemical cleaners may harm the finish and should not be used.

### FIXING NOTE

It is the buyer's responsibility to ensure that suitable fixings are used.

\*Please refer to our Terms & Conditions for further information.



**H&  
CO**

LIGHT BEYOND DESIGN

www.heathfield.co.uk | +44 (0) 1732 350450 | sales@heathfield.co.uk  
Unit 1, Priory Road, Tonbridge, Kent, TN9 2AF, United Kingdom. This specification is subject to our standard Terms & Conditions, a copy of which can be found at heathfield.co.uk. © 2025 Heathfield & Co. All rights reserved.

# Heathfield&Co

## Product Specification Sheet

CEILING LIGHT | RAE 5 LIGHT CLUSTER SATIN BRASS



### PRODUCT INFORMATION

Base Code: PD-RAE0-SBRS-ALAB-V05

Material: Brass & Alabaster

Finish shown: White

Metalwork: Satin Brass

### TECHNICAL INFORMATION

Weight: 16kg / 35.3lbs

Switching & Plug: Hardwired

Lamping: 5x E27 Lampholder / 5x E26 US lampholder

60W max. LED Lamps Recommended.

Lamps not included

TOTAL HEIGHT: 2420mm / 95<sup>1</sup>/<sub>4</sub>"

TOTAL WIDTH: 370mm / 14<sup>1</sup>/<sub>2</sub>"

CEILING ROSE HEIGHT: 40mm / 1<sup>3</sup>/<sub>4</sub>"

CEILING ROSE WIDTH: 370mm / 14<sup>1</sup>/<sub>2</sub>"

UKCA / CE / WIRED USING US COMPONENTS

### WARRANTY

10 years\*

### FINISHING NOTE

Alabaster is a natural material with distinctly unique formations, markings and colouration. It is part of its charm that no two lamps are exactly the same.

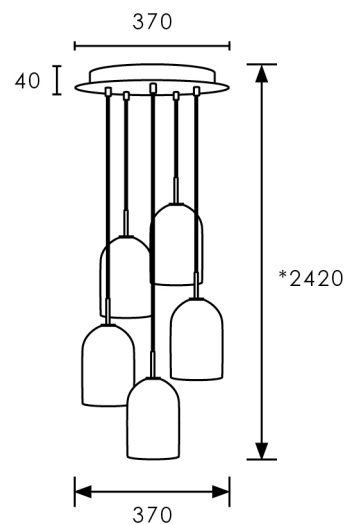
### CLEANING INSTRUCTIONS

The finishes on this luminaire only require regular cleaning with a soft dry duster. Abrasive or chemical cleaners may harm the finish and should not be used.

### FIXING NOTE

It is the buyer's responsibility to ensure that suitable fixings are used.

\*Please refer to our Terms & Conditions for further information.



Dimensions in mm and approximate. \*Adjustable

H&  
CO

LIGHT BEYOND DESIGN

www.heathfield.co.uk | +44 (0) 1732 350450 | sales@heathfield.co.uk  
Unit 1, Priory Road, Tonbridge, Kent, TN9 2AF, United Kingdom. This specification is subject to our standard Terms & Conditions, a copy of which can be found at heathfield.co.uk. © 2025 Heathfield & Co. All rights reserved.

# Heathfield & Co

## Product Specification Sheet

CEILING LIGHT | INDI 5 LIGHT CLUSTER SATIN BRASS



### PRODUCT INFORMATION

Base Code: PD-INDI-SBRS-ANTI-V05

Material: Brass & Glass

Finish shown: Clear

Metalwork: Satin Brass

### TECHNICAL INFORMATION

Weight: 5kg / 11lbs

Switching & Plug: Hardwired

Lamping: 5x G9 Lampholder / 5x G9 US lampholder

25W max. LED Lamps Recommended.

Lamps not included

TOTAL HEIGHT: 2390mm / 94<sup>1</sup>/<sub>4</sub>"

TOTAL WIDTH: 370mm / 14<sup>1</sup>/<sub>2</sub>"

CEILING ROSE HEIGHT: 40mm / 1<sup>3</sup>/<sub>4</sub>"

CEILING ROSE WIDTH: 370mm / 14<sup>1</sup>/<sub>2</sub>"

UKCA / CE / WIRED USING US COMPONENTS

### WARRANTY

10 years\*

### FINISHING NOTE

Our carefully selected glass and metalwork components are all hand finished by skilled artisans and as such no two products are exactly the same - something that adds to the unique charm of this product.

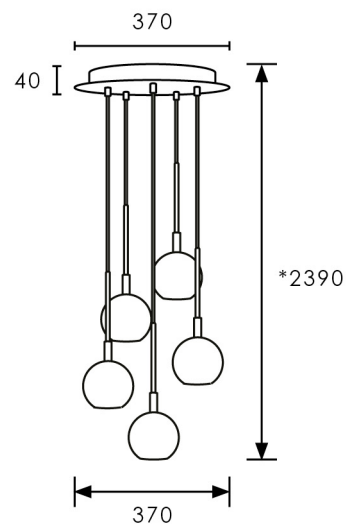
### CLEANING INSTRUCTIONS

The finishes on this luminaire only require regular cleaning with a soft dry duster. Abrasive or chemical cleaners may harm the finish and should not be used.

### FIXING NOTE

It is the buyer's responsibility to ensure that suitable fixings are used.

\*Please refer to our Terms & Conditions for further information.



Dimensions in mm and approximate. \*Adjustable

H&  
CO

LIGHT BEYOND DESIGN

www.heathfield.co.uk | +44 (0) 1732 350450 | sales@heathfield.co.uk  
Unit 1, Priory Road, Tonbridge, Kent, TN9 2AF, United Kingdom. This specification is subject to our standard Terms & Conditions, a copy of which can be found at heathfield.co.uk. © 2025 Heathfield & Co. All rights reserved.

# Heathfield & Co

## Product Specification Sheet

CEILING LIGHT | KOA 5 LIGHT CLUSTER BLACKENED BRONZE



### PRODUCT INFORMATION

Base Code: PD-KOA0-BRNZ-SMOK-V05

Material: Bronze & Glass

Finish shown: Smoke

Metalwork: Blackened Bronze

### TECHNICAL INFORMATION

Weight: 8.5kg / 18.7lbs

Switching & Plug: Hardwired

Lamping: 5x G9 Lampholder / 5x G9 US lampholder

25W max. LED Lamps Recommended.

Lamps not included

TOTAL HEIGHT: 2165mm / 85<sup>1</sup>/<sub>4</sub>"

TOTAL WIDTH: 370mm / 14<sup>1</sup>/<sub>2</sub>"

CEILING ROSE HEIGHT: 40mm / 1<sup>3</sup>/<sub>4</sub>"

CEILING ROSE WIDTH: 370mm / 14<sup>1</sup>/<sub>2</sub>"

UKCA / CE / WIRED USING US COMPONENTS

### WARRANTY

10 years\*

### FINISHING NOTE

Our carefully selected glass and metalwork components are all hand finished by skilled artisans and as such no two products are exactly the same - something that adds to the unique charm of this product.

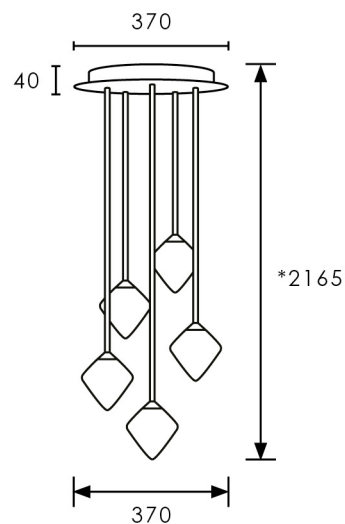
### CLEANING INSTRUCTIONS

The finishes on this luminaire only require regular cleaning with a soft dry duster. Abrasive or chemical cleaners may harm the finish and should not be used.

### FIXING NOTE

It is the buyer's responsibility to ensure that suitable fixings are used.

\*Please refer to our Terms & Conditions for further information.



Dimensions in mm and approximate. \*Adjustable

H&  
CO

LIGHT BEYOND DESIGN

www.heathfield.co.uk | +44 (0) 1732 350450 | sales@heathfield.co.uk  
Unit 1, Priory Road, Tonbridge, Kent, TN9 2AF, United Kingdom. This specification is subject to our standard Terms & Conditions, a copy of which can be found at heathfield.co.uk. © 2025 Heathfield & Co. All rights reserved.

# Heathfield&Co

## Product Specification Sheet

CEILING LIGHT | KOA 5 LIGHT CLUSTER SATIN BRASS



### PRODUCT INFORMATION

Base Code: PD-KOA0-SBRS-CLER-V05

Material: Brass & Glass

Finish shown: Clear

Metalwork: Satin Brass

### TECHNICAL INFORMATION

Weight: 8.5kg / 18.7lbs

Switching & Plug: Hardwired

Lamping: 5x G9 Lampholder / 5x G9 US lampholder

25W max. LED Lamps Recommended.

Lamps not included

TOTAL HEIGHT: 2165mm / 85<sup>1</sup>/<sub>4</sub>"

TOTAL WIDTH: 370mm / 14<sup>1</sup>/<sub>2</sub>"

CEILING ROSE HEIGHT: 40mm / 1<sup>3</sup>/<sub>4</sub>"

CEILING ROSE WIDTH: 370mm / 14<sup>1</sup>/<sub>2</sub>"

UKCA / CE / WIRED USING US COMPONENTS

### WARRANTY

10 years\*

### FINISHING NOTE

Our carefully selected glass and metalwork components are all hand finished by skilled artisans and as such no two products are exactly the same - something that adds to the unique charm of this product.

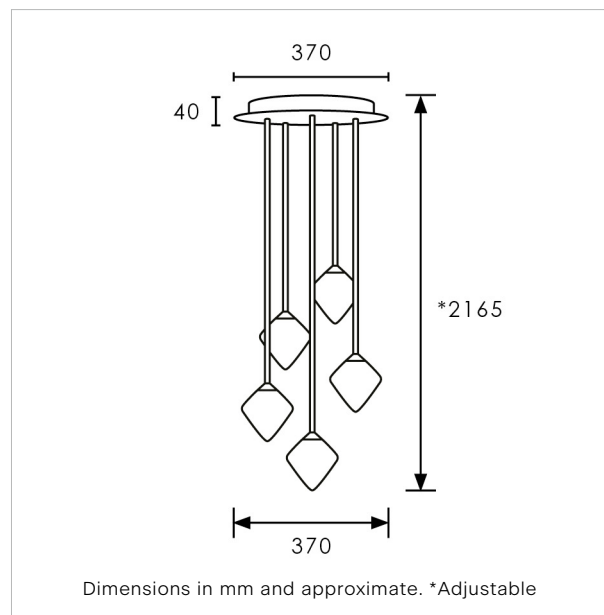
### CLEANING INSTRUCTIONS

The finishes on this luminaire only require regular cleaning with a soft dry duster. Abrasive or chemical cleaners may harm the finish and should not be used.

### FIXING NOTE

It is the buyer's responsibility to ensure that suitable fixings are used.

\*Please refer to our Terms & Conditions for further information.



H&  
CO

LIGHT BEYOND DESIGN

www.heathfield.co.uk | +44 (0) 1732 350450 | sales@heathfield.co.uk  
Unit 1, Priory Road, Tonbridge, Kent, TN9 2AF, United Kingdom. This specification is subject to our standard Terms & Conditions, a copy of which can be found at heathfield.co.uk. © 2025 Heathfield & Co. All rights reserved.

# Heathfield & Co

## Product Specification Sheet

CEILING LIGHT | NULA 5 LIGHT CLUSTER BLACKENED BRONZE



### PRODUCT INFORMATION

Base Code: PD-NULA-BBRZ-ALAB-V05

Material: Bronze & Alabaster

Finish shown: White

Metalwork: Blackened Bronze

### TECHNICAL INFORMATION

Weight: 7.5kg / 16.5lbs

Switching & Plug: Hardwired

Lamping: Integrated LED 2700 Kelvin

5W Mains Dimmable Driver contained within ceiling rose

TOTAL HEIGHT: 2345mm / 92<sup>1</sup>/<sub>2</sub>"

TOTAL WIDTH: 370mm / 14<sup>1</sup>/<sub>2</sub>"

CEILING ROSE HEIGHT: 40mm / 1<sup>3</sup>/<sub>4</sub>"

CEILING ROSE WIDTH: 370mm / 14<sup>1</sup>/<sub>2</sub>"

UKCA / CE / WIRED USING US COMPONENTS

### WARRANTY

10 years\*

### FINISHING NOTE

Alabaster is a natural material with distinctly unique formations, markings and colouration. It is part of its charm that no two lamps are exactly the same.

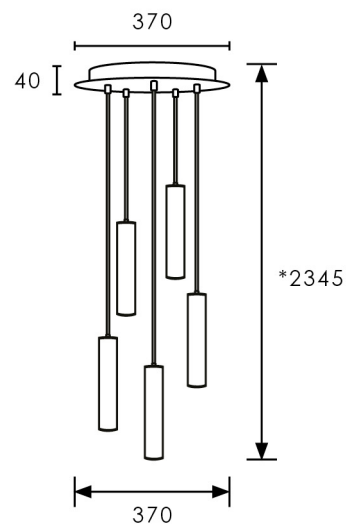
### CLEANING INSTRUCTIONS

The finishes on this luminaire only require regular cleaning with a soft dry duster. Abrasive or chemical cleaners may harm the finish and should not be used.

### FIXING NOTE

It is the buyer's responsibility to ensure that suitable fixings are used.

\*Please refer to our Terms & Conditions for further information.



Dimensions in mm and approximate. \*Adjustable

H&  
CO

LIGHT BEYOND DESIGN

www.heathfield.co.uk | +44 (0) 1732 350450 | sales@heathfield.co.uk  
Unit 1, Priory Road, Tonbridge, Kent, TN9 2AF, United Kingdom. This specification is subject to our standard Terms & Conditions, a copy of which can be found at heathfield.co.uk. © 2025 Heathfield & Co. All rights reserved.

# Heathfield & Co

## Product Specification Sheet

CEILING LIGHT | NULA 5 LIGHT CLUSTER SATIN BRASS



### PRODUCT INFORMATION

Base Code: PD-NULA-SBRS-ALAB-V05

Material: Brass & Alabaster

Finish shown: White

Metalwork: Satin Brass

### TECHNICAL INFORMATION

Weight: 7.5kg / 16.5lbs

Switching & Plug: Hardwired

Lamping: Integrated LED 2700 Kelvin

5W Mains Dimmable Driver contained within ceiling rose

TOTAL HEIGHT: 2345mm / 92<sup>1</sup>/<sub>2</sub>"

TOTAL WIDTH: 370mm / 14<sup>1</sup>/<sub>2</sub>"

CEILING ROSE HEIGHT: 40mm / 1<sup>3</sup>/<sub>4</sub>"

CEILING ROSE WIDTH: 370mm / 14<sup>1</sup>/<sub>2</sub>"

UKCA / CE / WIRED USING US COMPONENTS

### WARRANTY

10 years\*

### FINISHING NOTE

Alabaster is a natural material with distinctly unique formations, markings and colouration. It is part of its charm that no two lamps are exactly the same.

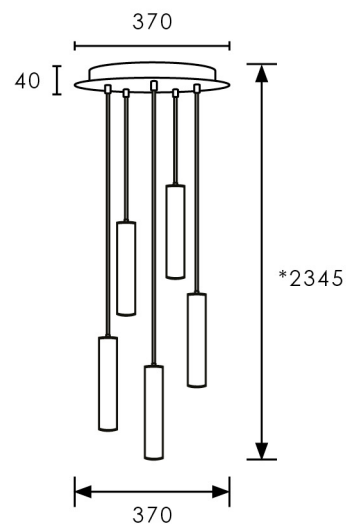
### CLEANING INSTRUCTIONS

The finishes on this luminaire only require regular cleaning with a soft dry duster. Abrasive or chemical cleaners may harm the finish and should not be used.

### FIXING NOTE

It is the buyer's responsibility to ensure that suitable fixings are used.

\*Please refer to our Terms & Conditions for further information.



Dimensions in mm and approximate. \*Adjustable

H&  
CO

LIGHT BEYOND DESIGN

www.heathfield.co.uk | +44 (0) 1732 350450 | sales@heathfield.co.uk  
Unit 1, Priory Road, Tonbridge, Kent, TN9 2AF, United Kingdom. This specification is subject to our standard Terms & Conditions, a copy of which can be found at heathfield.co.uk. © 2025 Heathfield & Co. All rights reserved.

# Heathfield&Co

## Product Specification Sheet

CEILING LIGHT | RHEA 5 LIGHT CLUSTER ANTIQUE BRASS



### PRODUCT INFORMATION

Base Code: PD-RHEA-ABRS-ALAB-PM05

Material: Brass & Alabaster

Finish shown: White

Metalwork: Antique Brass

### TECHNICAL INFORMATION

Weight: 7kg / 15.4lbs

Lamping: 5x E14 Lampholder / 5x E12 US lampholder

60W max. LED Lamps Recommended.

Lamps not included

TOTAL HEIGHT: 2170mm / 85<sup>1</sup>/<sub>2</sub>"

TOTAL WIDTH: 370mm / 14<sup>1</sup>/<sub>2</sub>"

CEILING ROSE HEIGHT: 40mm / 1<sup>3</sup>/<sub>4</sub>"

CEILING ROSE WIDTH: 370mm / 14<sup>1</sup>/<sub>2</sub>"

UKCA / CE / WIRED USING US COMPONENTS

### WARRANTY

10 years\*

### FINISHING NOTE

Alabaster is a natural material with distinctly unique formations, markings and colouration. It is part of its charm that no two lamps are exactly the same.

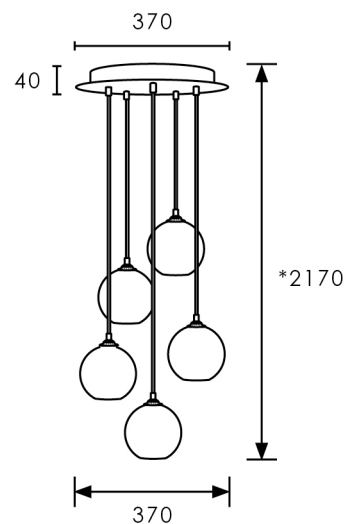
### CLEANING INSTRUCTIONS

The finishes on this luminaire only require regular cleaning with a soft dry duster. Abrasive or chemical cleaners may harm the finish and should not be used.

### FIXING NOTE

It is the buyer's responsibility to ensure that suitable fixings are used.

\*Please refer to our Terms & Conditions for further information.



Dimensions in mm and approximate. \*Adjustable

H&  
CO

LIGHT BEYOND DESIGN

www.heathfield.co.uk | +44 (0) 1732 350450 | sales@heathfield.co.uk  
Unit 1, Priory Road, Tonbridge, Kent, TN9 2AF, United Kingdom. This specification is subject to our standard Terms & Conditions, a copy of which can be found at heathfield.co.uk. © 2025 Heathfield & Co. All rights reserved.