

Heathfield&Co

Product Specification Sheet

CEILING LIGHT | KOBI DOUBLE DRUM PENDANT



PRODUCT INFORMATION

Base Code: PD-KOBI-BRNZ

Material: Metal

Finish shown: Bronze

Lampshade: 19" Kobi Double Drum / SH-19-KOBI

Flex: UK & EU 1.5 metres of Black braided flex /
US Black braided flex

TECHNICAL INFORMATION

Weight: 1.1kg / 2.4lbs

Switching & Plug: Hardwired

Lamping: 1x E27 lampholder / 1x E26 US lampholder
40W max. LED lamps recommended.

Lamps not included

TOTAL HEIGHT: 1970 mm / 77¹/₂"

TOTAL WIDTH: 455 mm / 18"

UKCA / CE / UL COMPLIANT

WARRANTY

12 months

FINISHING NOTE

All metalwork is handcrafted and may vary from piece to piece with slight variation in finish and detailing.

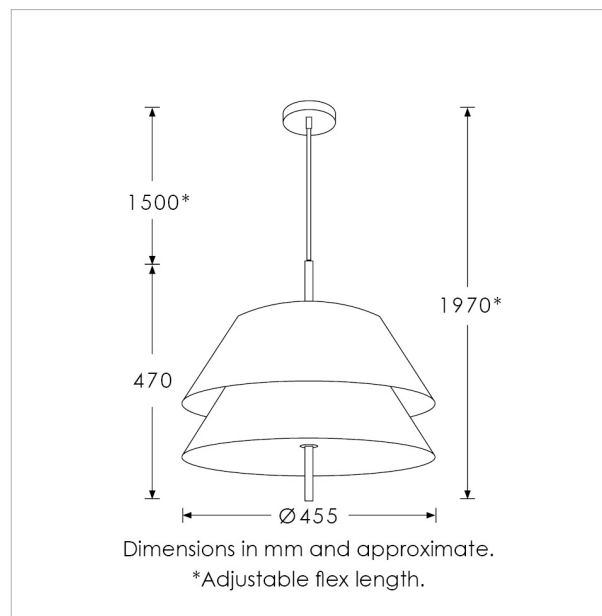
CLEANING INSTRUCTIONS

The finishes on this luminaire only require regular cleaning with a soft dry duster. Abrasive or chemical cleaners may harm the finish and should not be used. Shade to be dusted with a clean dry cloth.

FIXING NOTE

It is the buyer's responsibility to ensure that suitable fixings are used.

*Please refer to our Terms & Conditions for further information.



H&
CO

LIGHT BEYOND DESIGN