

# Heathfield&Co

## Product Specification Sheet

CEILING LIGHT | KOA SINGLE PENDANT



### PRODUCT INFORMATION

Base Code: PD-KOAO-SBRS-CLER-P01

Material: Metal & Glass

Finish shown: Clear

### TECHNICAL INFORMATION

Weight: 1.7kg / 3.7lbs

Switching & Plug: Hardwired

Lamping: 1x G9 lampholder

40W max. LED lamps recommended.

Lamps not included

TOTAL HEIGHT: 1170 mm / 46"

TOTAL WIDTH: 140 mm / 5 1/2"

UKCA / CE / WIRED USING US COMPONENTS

### WARRANTY

10 years\*

### FINISHING NOTE

Our carefully selected glass and metalwork components are all hand finished by skilled artisans and as such no two products are exactly the same - something that adds to the unique charm of this product.

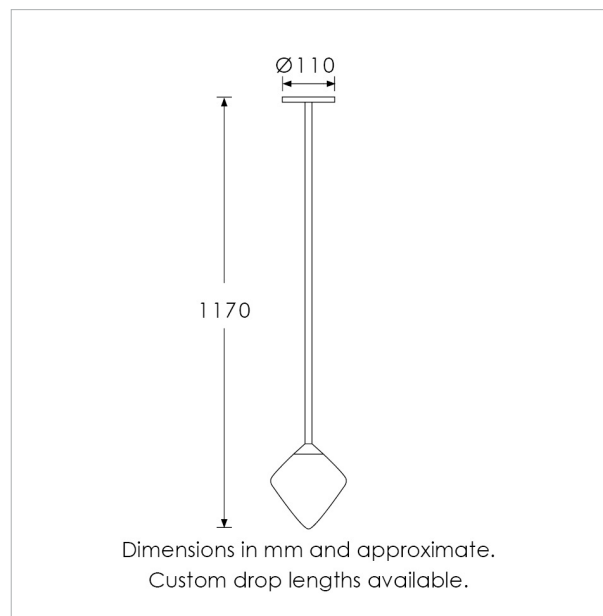
### CLEANING INSTRUCTIONS

The finishes on this luminaire only require regular cleaning with a soft dry duster. Abrasive or chemical cleaners may harm the finish and should not be used.

### FIXING NOTE

It is the buyer's responsibility to ensure that suitable fixings are used.

\*Please refer to our Terms & Conditions for further information.



H&  
CO

LIGHT BEYOND DESIGN

# Heathfield&Co

## Product Specification Sheet

CEILING LIGHT | KOA SMOKE SINGLE PENDANT



### PRODUCT INFORMATION

Base Code: PD-KOAO-BRNZ-SMOK-P01

Material: Metal & Glass

Finish shown: Smoke

### TECHNICAL INFORMATION

Weight: 1.7kg / 3.7lbs

Switching & Plug: Hardwired

Lamping: 1x G9 lampholder

40W max. LED lamps recommended.

Lamps not included

TOTAL HEIGHT: 1170 mm / 46"

TOTAL WIDTH: 140 mm / 5<sup>1</sup>/<sub>2</sub>"

UKCA / CE / WIRED USING US COMPONENTS

### WARRANTY

10 years\*

### FINISHING NOTE

Our carefully selected glass and metalwork components are all hand finished by skilled artisans and as such no two products are exactly the same - something that adds to the unique charm of this product.

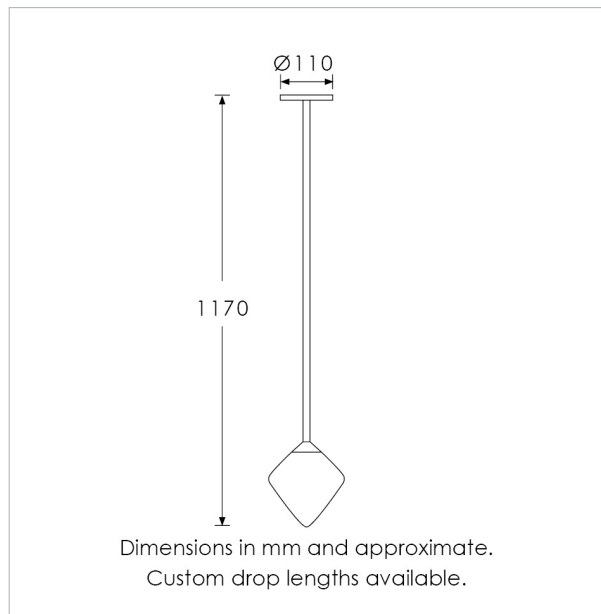
### CLEANING INSTRUCTIONS

The finishes on this luminaire only require regular cleaning with a soft dry duster. Abrasive or chemical cleaners may harm the finish and should not be used.

### FIXING NOTE

It is the buyer's responsibility to ensure that suitable fixings are used.

\*Please refer to our Terms & Conditions for further information.



H&  
CO

LIGHT BEYOND DESIGN

# Heathfield&Co

## Product Specification Sheet

CEILING LIGHT | KOA 3 LIGHT CLUSTER BLACKENED BRONZE



### PRODUCT INFORMATION

Base Code: PD-KOA0-BRNZ-SMOK-V03

Material: Bronze & Glass

Finish shown: Smoke

Metalwork: Blackened Bronze

### TECHNICAL INFORMATION

Weight: 5.1kg / 11.2lbs

Switching & Plug: Hardwired

Lamping: 3x G9 Lampholder / 3x G9 US lampholder

25W max. LED Lamps Recommended.

Lamps not included

TOTAL HEIGHT: 2160mm / 85"

TOTAL WIDTH: 250mm / 10"

CEILING ROSE HEIGHT: 35mm / 1 1/2"

CEILING ROSE WIDTH: 250mm / 10"

UKCA / CE / WIRED USING US COMPONENTS

### WARRANTY

10 years\*

### FINISHING NOTE

Our carefully selected glass and metalwork components are all hand finished by skilled artisans and as such no two products are exactly the same - something that adds to the unique charm of this product.

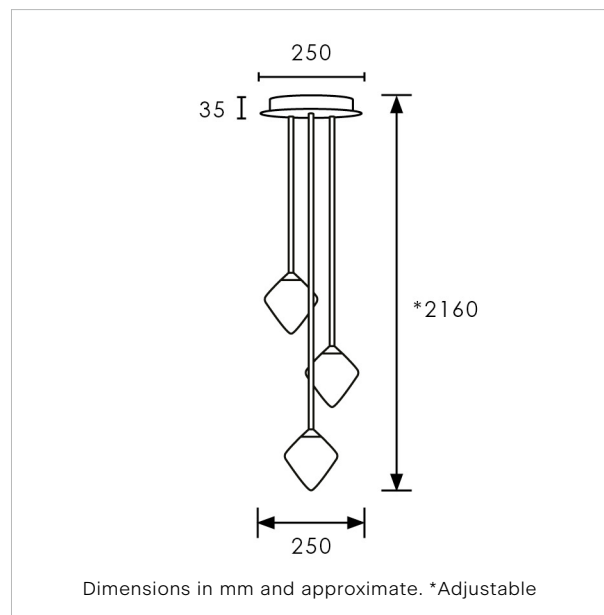
### CLEANING INSTRUCTIONS

The finishes on this luminaire only require regular cleaning with a soft dry duster. Abrasive or chemical cleaners may harm the finish and should not be used.

### FIXING NOTE

It is the buyer's responsibility to ensure that suitable fixings are used.

\*Please refer to our Terms & Conditions for further information.



H&  
CO

LIGHT BEYOND DESIGN

www.heathfield.co.uk | +44 (0) 1732 350450 | sales@heathfield.co.uk  
Unit 1, Priory Road, Tonbridge, Kent, TN9 2AF, United Kingdom. This specification is subject to our standard Terms & Conditions, a copy of which can be found at heathfield.co.uk. © 2025 Heathfield & Co. All rights reserved.

# Heathfield&Co

## Product Specification Sheet

CEILING LIGHT | KOA 3 LIGHT CLUSTER SATIN BRASS



### PRODUCT INFORMATION

Base Code: PD-KOA0-SBRS-CLER-V03

Material: Brass & Glass

Finish shown: Clear

Metalwork: Satin Brass

### TECHNICAL INFORMATION

Weight: 5.1kg / 11.2lbs

Switching & Plug: Hardwired

Lamping: 3x G9 Lampholder / 3x G9 US lampholder

25W max. LED Lamps Recommended.

Lamps not included

TOTAL HEIGHT: 2160mm / 85"

TOTAL WIDTH: 250mm / 10"

CEILING ROSE HEIGHT: 35mm / 1 1/2"

CEILING ROSE WIDTH: 250mm / 10"

UKCA / CE / WIRED USING US COMPONENTS

### WARRANTY

10 years\*

### FINISHING NOTE

Our carefully selected glass and metalwork components are all hand finished by skilled artisans and as such no two products are exactly the same - something that adds to the unique charm of this product.

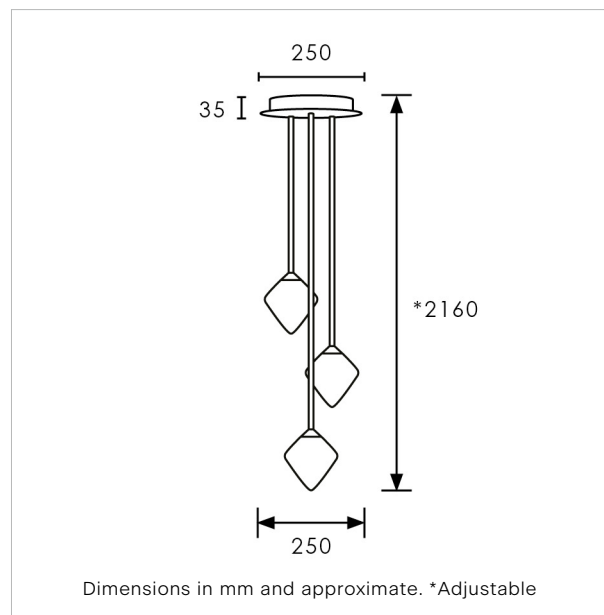
### CLEANING INSTRUCTIONS

The finishes on this luminaire only require regular cleaning with a soft dry duster. Abrasive or chemical cleaners may harm the finish and should not be used.

### FIXING NOTE

It is the buyer's responsibility to ensure that suitable fixings are used.

\*Please refer to our Terms & Conditions for further information.



H&  
CO

LIGHT BEYOND DESIGN

www.heathfield.co.uk | +44 (0) 1732 350450 | sales@heathfield.co.uk  
Unit 1, Priory Road, Tonbridge, Kent, TN9 2AF, United Kingdom. This specification is subject to our standard Terms & Conditions, a copy of which can be found at heathfield.co.uk. © 2025 Heathfield & Co. All rights reserved.

# Heathfield & Co

## Product Specification Sheet

CEILING LIGHT | KOA 5 LIGHT CLUSTER BLACKENED BRONZE



### PRODUCT INFORMATION

Base Code: PD-KOA0-BRNZ-SMOK-V05

Material: Bronze & Glass

Finish shown: Smoke

Metalwork: Blackened Bronze

### TECHNICAL INFORMATION

Weight: 8.5kg / 18.7lbs

Switching & Plug: Hardwired

Lamping: 5x G9 Lampholder / 5x G9 US lampholder

25W max. LED Lamps Recommended.

Lamps not included

TOTAL HEIGHT: 2165mm / 85<sup>1</sup>/<sub>4</sub>"

TOTAL WIDTH: 370mm / 14<sup>1</sup>/<sub>2</sub>"

CEILING ROSE HEIGHT: 40mm / 1<sup>3</sup>/<sub>4</sub>"

CEILING ROSE WIDTH: 370mm / 14<sup>1</sup>/<sub>2</sub>"

UKCA / CE / WIRED USING US COMPONENTS

### WARRANTY

10 years\*

### FINISHING NOTE

Our carefully selected glass and metalwork components are all hand finished by skilled artisans and as such no two products are exactly the same - something that adds to the unique charm of this product.

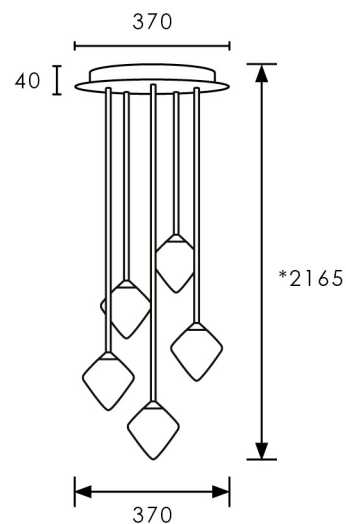
### CLEANING INSTRUCTIONS

The finishes on this luminaire only require regular cleaning with a soft dry duster. Abrasive or chemical cleaners may harm the finish and should not be used.

### FIXING NOTE

It is the buyer's responsibility to ensure that suitable fixings are used.

\*Please refer to our Terms & Conditions for further information.



Dimensions in mm and approximate. \*Adjustable

H&  
CO

LIGHT BEYOND DESIGN

www.heathfield.co.uk | +44 (0) 1732 350450 | sales@heathfield.co.uk  
Unit 1, Priory Road, Tonbridge, Kent, TN9 2AF, United Kingdom. This specification is subject to our standard Terms & Conditions, a copy of which can be found at heathfield.co.uk. © 2025 Heathfield & Co. All rights reserved.

# Heathfield & Co

## Product Specification Sheet

CEILING LIGHT | KOA 5 LIGHT CLUSTER SATIN BRASS



### PRODUCT INFORMATION

Base Code: PD-KOA0-SBRS-CLER-V05

Material: Brass & Glass

Finish shown: Clear

Metalwork: Satin Brass

### TECHNICAL INFORMATION

Weight: 8.5kg / 18.7lbs

Switching & Plug: Hardwired

Lamping: 5x G9 Lampholder / 5x G9 US lampholder

25W max. LED Lamps Recommended.

Lamps not included

TOTAL HEIGHT: 2165mm / 85<sup>1</sup>/<sub>4</sub>"

TOTAL WIDTH: 370mm / 14<sup>1</sup>/<sub>2</sub>"

CEILING ROSE HEIGHT: 40mm / 1<sup>3</sup>/<sub>4</sub>"

CEILING ROSE WIDTH: 370mm / 14<sup>1</sup>/<sub>2</sub>"

UKCA / CE / WIRED USING US COMPONENTS

### WARRANTY

10 years\*

### FINISHING NOTE

Our carefully selected glass and metalwork components are all hand finished by skilled artisans and as such no two products are exactly the same - something that adds to the unique charm of this product.

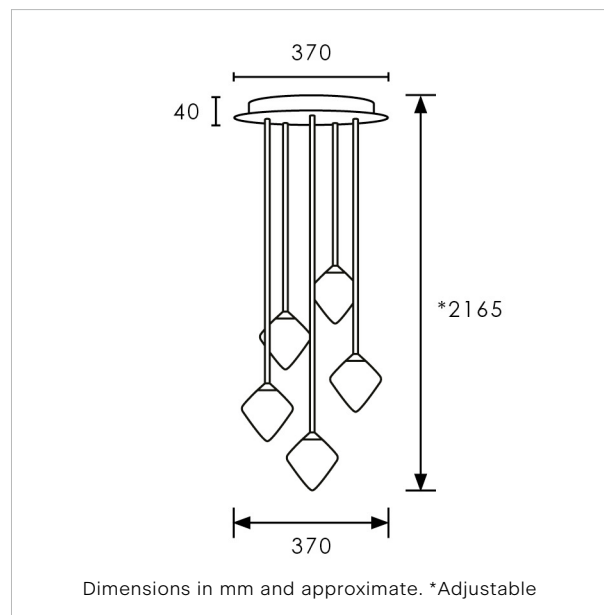
### CLEANING INSTRUCTIONS

The finishes on this luminaire only require regular cleaning with a soft dry duster. Abrasive or chemical cleaners may harm the finish and should not be used.

### FIXING NOTE

It is the buyer's responsibility to ensure that suitable fixings are used.

\*Please refer to our Terms & Conditions for further information.



H&  
CO

LIGHT BEYOND DESIGN

www.heathfield.co.uk | +44 (0) 1732 350450 | sales@heathfield.co.uk  
Unit 1, Priory Road, Tonbridge, Kent, TN9 2AF, United Kingdom. This specification is subject to our standard Terms & Conditions, a copy of which can be found at heathfield.co.uk. © 2025 Heathfield & Co. All rights reserved.