

Heathfield&Co

Product Specification Sheet

CEILING LIGHT | KOA DOUBLE PENDANT



PRODUCT INFORMATION

Base Code: PD-KOAO-SBRS-CLER-P02

Material: Metal & Glass

Finish shown: Clear

TECHNICAL INFORMATION

Weight: 2.9kg / 6.4lbs

Switching & Plug: Hardwired

Lamping: 2x G9 lampholder

40W max. LED lamps recommended.

Lamps not included

TOTAL HEIGHT: 1160 mm / 45¹/₂"

TOTAL WIDTH: 1050 mm / 41¹/₂"

UKCA / CE / WIRED USING US COMPONENTS

WARRANTY

10 years*

FINISHING NOTE

Our carefully selected glass and metalwork components are all hand finished by skilled artisans and as such no two products are exactly the same - something that adds to the unique charm of this product.

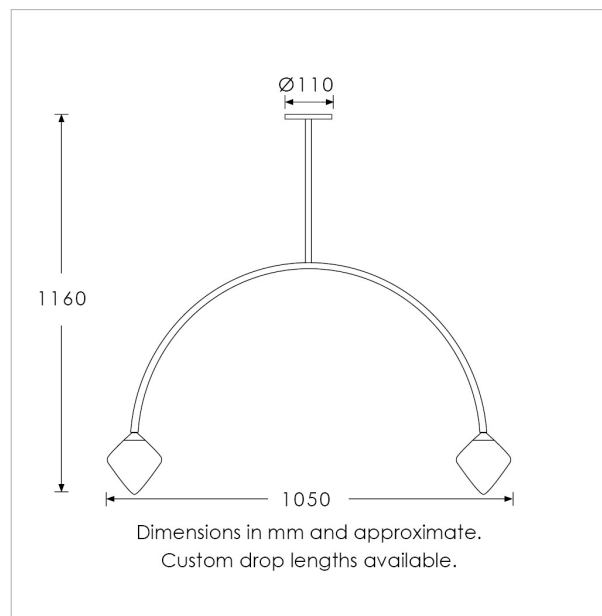
CLEANING INSTRUCTIONS

The finishes on this luminaire only require regular cleaning with a soft dry duster. Abrasive or chemical cleaners may harm the finish and should not be used.

FIXING NOTE

It is the buyer's responsibility to ensure that suitable fixings are used.

*Please refer to our Terms & Conditions for further information.



H&
CO

LIGHT BEYOND DESIGN

Heathfield&Co

Product Specification Sheet

CEILING LIGHT | KOA SMOKE DOUBLE PENDANT



PRODUCT INFORMATION

Base Code: PD-KOAO-BRNZ-SMOK-P02

Material: Metal & Glass

Finish shown: Smoke

TECHNICAL INFORMATION

Weight: 2.9kg / 6.4lbs

Switching & Plug: Hardwired

Lamping: 2x G9 lampholder

40W max. LED lamps recommended.

Lamps not included

TOTAL HEIGHT: 1160 mm / 45¹/₂"

TOTAL WIDTH: 1050 mm / 41¹/₂"

UKCA / CE / WIRED USING US COMPONENTS

WARRANTY

10 years*

FINISHING NOTE

Our carefully selected glass and metalwork components are all hand finished by skilled artisans and as such no two products are exactly the same - something that adds to the unique charm of this product.

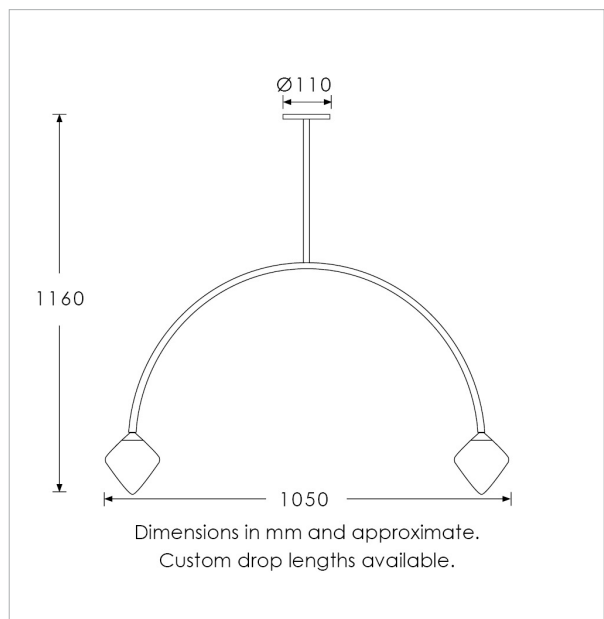
CLEANING INSTRUCTIONS

The finishes on this luminaire only require regular cleaning with a soft dry duster. Abrasive or chemical cleaners may harm the finish and should not be used.

FIXING NOTE

It is the buyer's responsibility to ensure that suitable fixings are used.

*Please refer to our Terms & Conditions for further information.



H&
CO

LIGHT BEYOND DESIGN