

Heathfield&Co

Product Specification Sheet

CEILING LIGHT | KENZO



PRODUCT INFORMATION

Base Code: PD-KENZ-BBRZ-WHTE

Material: Metal

Finish shown: Black

Metalwork: Blackened Bronze

Flex: UK & EU 1.5 metres of Oatmeal braided cable /
US Oatmeal braided cable

TECHNICAL INFORMATION

Weight: 1.8kg / 4lbs

Switching & Plug: Hardwired

Lamping: 4x G9 lampholder

25W max. LED lamps recommended.

Lamps not included

TOTAL HEIGHT: 2000 mm / 78.7"

TOTAL WIDTH: 610 mm / 24"

UKCA / CE / WIRED USING US COMPONENTS

WARRANTY

10 years*

FINISHING NOTE

All metalwork is handcrafted and may vary from piece to piece with slight variation in finish and detailing.

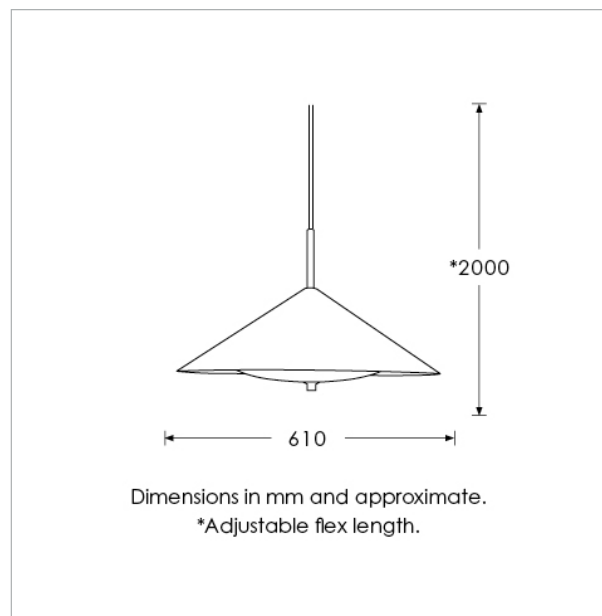
CLEANING INSTRUCTIONS

The finishes on this luminaire only require regular cleaning with a soft dry duster. Abrasive or chemical cleaners may harm the finish and should not be used.

FIXING NOTE

It is the buyer's responsibility to ensure that suitable fixings are used.

*Please refer to our Terms & Conditions for further information.



H&
CO

LIGHT BEYOND DESIGN